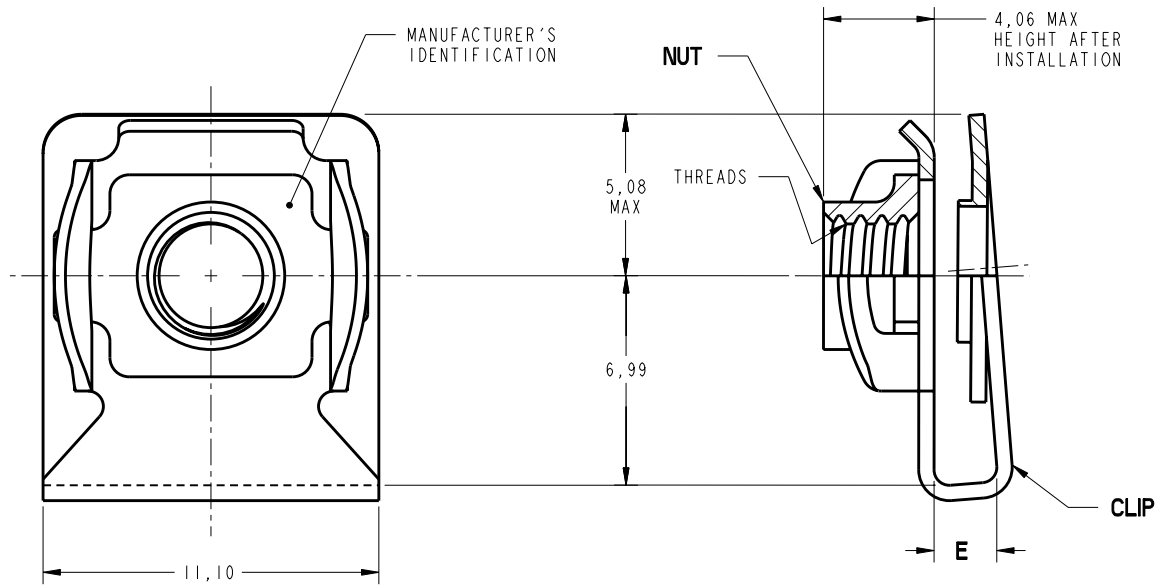


MANUFACTURER OF THE PROPRIETARY PARTS SHOWN HERE WITHOUT WRITTEN CONSENT OF HOWMET FASTENING SYSTEMS IS ABSOLUTELY PROHIBITED.

THIS DRAWING EMBODIES HOWMET FASTENING SYSTEMS CONFIDENTIAL, PROPRIETARY DESIGN & ALL DESIGN, MANUFACTURING PRODUCTION, USE & SALE RIGHTS REGARDING SAME ARE EXPRESSLY RESERVED.



HFS PART NO.	THREADS PER MA1370	E MIN	EDGE DISTANCE MAX	INSTALLATION HOLE	PANEL THICKNESS RANGE	AXIAL TENSILE STRENGTH lbf MIN	MAX LOCKING TORQUE in-lbf	MIN BREAKAWAY TORQUE in-lbf	APPROX WEIGHT Kgs/100			
SL210M	3-1	1,52	6,35	4,83-5,82	0,51-1,52	1,130	10	1.0	0,127			
	3-2	3,18			1,52-3,18							
	3-3	4,75			3,18-4,75							
	3-4	6,35			4,75-6,35							
	4-1	1,52			0,51-1,52							
	4-2	3,18			1,52-3,18							
	4-3	4,75		1,52-3,18	1,720	15	1.5					
	4-4	6,35		4,75-6,35								
	5-1	1,52		0,51-1,52				5,54-6,63		2,460	18	2.0
	5-2	3,18		1,52-3,18								
	5-3	4,75		1,52-3,18								
	5-4	6,35		4,75-6,35								

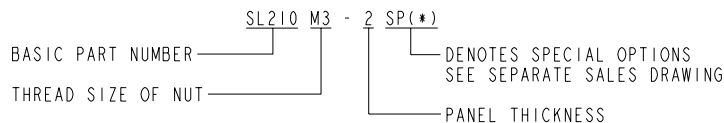
MATERIAL: NUT AND CLIP:  
C1050 CARBON STEEL PER AMS5085 (UNS G10500).

HEAT TREAT: HRC 49 MAX.

FINISH: NUT:  
CADMIUM PLATE PER AMS-QQ-P-416 TYPE II, CLASS 2 PLUS  
SOLID FILM LUBE PER AS5272 TYPE I.  
CLIP:  
CADMIUM PLATE PER AMS-QQ-P-416 TYPE II, CLASS 2

PERFORMANCE: LOCKING TORQUE AND TENSILE PER NASM25027.  
AXIAL TENSILE STRENGTH, MAXIMUM LOCKING TORQUE  
AND MINIMUM BREAKAWAY AS TABULATED.

**EXAMPLE OF PART NUMBER**



© 2021 HOWMET AEROSPACE INC. ALL RIGHTS RESERVED.

THIRD ANGLE PROJECTION EAR EXPORT CONTROLLED TECHNICAL DATA: DISTRIBUTION LIMITED TO U.S. PERSONS OR THOSE NON-U.S. PERSONS COVERED BY AN APPROPRIATE EXPORT LICENSE OR ALLOWED FOR BY THE APPROPRIATE REGULATIONS. ECCN: EAR99.

FILE STORED AS: S-SL210M-\*

APPROVED DATE 17SEP2021	CURRENT DESIGN ACTIVITY: <b>HOWMET AEROSPACE</b>	TITLE: <b>NUT - CLIP, SELF LOCKING, ASSEMBLY</b>	CURRENT DESIGN ACTIVITY: <b>CAGE CODE: 52828</b>
REV. LETTER AND DATE E 24JUN2021	Howmet Fastening Systems 800 S State College Boulevard Fullerton, California, 92831	UNLESS OTHERWISE SPECIFIED, DIMENSIONS ARE IN MILLIMETERS & ASME Y14.5-2018 TOLERANCES: DECIMALS = ±.254; ANGLES = ±2°	<b>SALES DRAWING No.</b>
CUSTOMER: -			<b>SL210M(*)-(*)</b>

http://www.hfs.howmet.com TEL: (714)871-1550