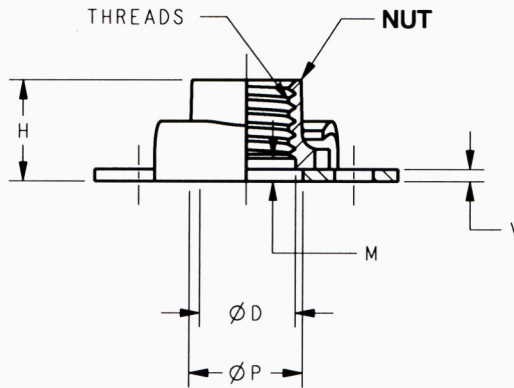
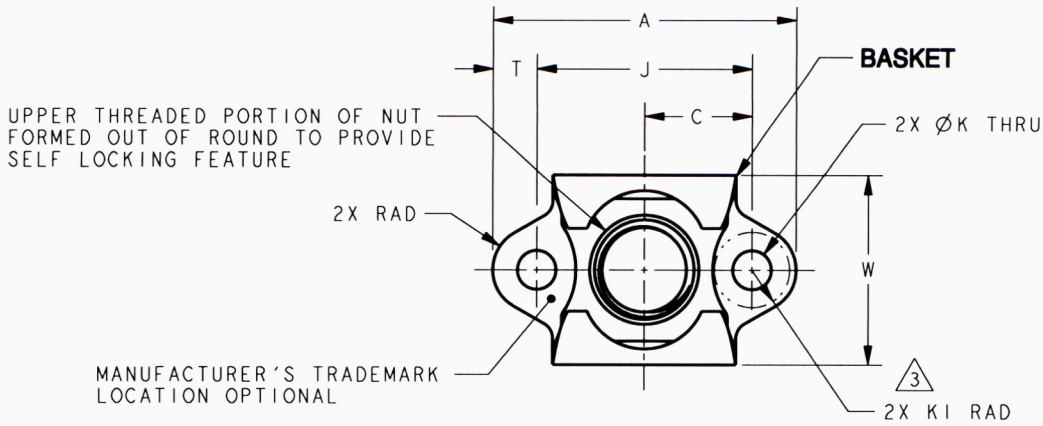


MANUFACTURER OF THE PROPRIETARY PARTS SHOWN HERE WITHOUT WRITTEN CONSENT OF HOWMET FASTENING SYSTEMS IS ABSOLUTELY PROHIBITED.

THIS DRAWING EMBODIES HOWMET FASTENING SYSTEMS CONFIDENTIAL PROPRIETARY DESIGN & ALL DESIGN, MANUFACTURING PRODUCTION, USE & SALE RIGHTS REGARDING SAME ARE EXPRESSLY RESERVED.



HFS PART NO.	THREADS PER AS8879	A	C	ØD	H	J	ØK	KI	M	ØP	T	V	W	MAXIMUM WEIGHT lbs / 100	
		MAX	±.005	MIN	MAX	±.002	+.005 -.000	MIN	MIN	MIN	MIN	MAX			
MF5000-	04	.1120-40UNJC-3B	.651	.203	.116	.153	.406	.098	.098	.270 .152	.089	.032	.315	.25	
	06	.1380-32UNJC-3B	.682	.218	.142	.171	.437					.015	.275		
	08	.1640-32UNJC-3B	.707	.234	.168	.250	.468				.032	.290	.367	.290	.36
	3	.1900-32UNJF-3B	.739	.250	.194		.500								
	4	.2500-28UNJF-3B	.801	.281	.281	.281	.562				.330 .290	.032 .027	.500 .350	.69	
	5	.3125-24UNJF-3B	1.010	.359	.317	.328	.718				.392 .352	.117	.045 .032	.581 .412	1.10

© 2026 HOWMET AEROSPACE INC. ALL RIGHTS RESERVED.

THIRD ANGLE PROJECTION EAR EXPORT CONTROLLED TECHNICAL DATA: DISTRIBUTION LIMITED TO U.S. PERSONS OR THOSE NON-U.S. PERSONS COVERED BY AN APPROPRIATE EXPORT LICENSE OR ALLOWED FOR BY THE APPROPRIATE REGULATIONS. ECCN: EAR99.

FILE STORED AS: S-MF5000	APPROVED DATE 20 JUL 1977	CURRENT DESIGN ACTIVITY: HOWMET AEROSPACE	TITLE: NUT - ANCHOR, 2 LUG, MINIATURE, FLOATING, SELF LOCKING, ASSEMBLY	CURRENT DESIGN ACTIVITY: CAGE CODE: 15653
	REV. LETTER AND DATE D 17 FEB 2026	Howmet Fastening Systems 800 S State College Boulevard Fullerton, California, 92831	UNLESS OTHERWISE SPECIFIED, DIMENSIONS ARE IN INCHES & ASME Y14.5-2018 TOLERANCES: DECIMALS = ±.010; ANGLES = ±2°	SALES DRAWING No.
	CUSTOMER: -			MF5000-(*) SHEET 1 OF 2

TEL: (714)871-1550

http://www.hf.s.howmet.com

MANUFACTURER OF THE PROPRIETARY PARTS SHOWN HERE WITHOUT WRITTEN CONSENT OF HOWMET FASTENING SYSTEMS IS ABSOLUTELY PROHIBITED.

THIS DRAWING EMBODIES HOWMET FASTENING SYSTEMS CONFIDENTIAL, PROPRIETARY DESIGN & ALL DESIGN, MANUFACTURING PRODUCTION, USE & SALE RIGHTS REGARDING SAME ARE EXPRESSLY RESERVED.

MATERIAL: NUT AND BASKET: C1050 CARBON STEEL PER AMS5085 (UNS G10500).

HEAT TREAT: HRC 49 MAXIMUM.

FINISH: NUT AND BASKET:
 MF5000-(*) : CADMIUM PLATE PER AMS-QQ-P-416, TYPE II, CLASS 2, PLUS SOLID FILM LUBE PER AS5272, TYPE I.
 MF5000X(*) : CADMIUM PLATE PER AMS-QQ-P-416, TYPE II, CLASS 2.
 MF5000-(*)CW : CADMIUM PLATE PER AMS-QQ-P-416, TYPE II, CLASS 2, PLUS WAX.

PERFORMANCE: NASM25027.


TEMPERATURE: 450 °F.

- NOTES:
1. FLOATABILITY:
 LATERALLY AND LONGITUDINALLY: .020 MINIMUM FROM CENTERED POSITION.
 AXIALLY: .020 MAXIMUM, 04 THRU 3 SIZES.
 .030 MAXIMUM, 4 AND 5 SIZES.
 2. FOR SIZES 04 AND 06, C'SINK OR RADIUS WITHIN THE LIMITS OF ØD.
 3. KI IS CLEARANCE FOR ATTACHING RIVETS.
 4. SURFACE TEXTURE TO BE 125 MICROINCHES R_a MAXIMUM PER ASME B46.1.
 5. UNLESS OTHERWISE SPECIFIED:
 A) DIMENSIONS APPLY AFTER FINISH BUT BEFORE LUBRICANT.
 B) REMOVE ALL BURRS AND SHARP EDGES.

© 2026 HOWMET AEROSPACE INC. ALL RIGHTS RESERVED.

THIRD ANGLE PROJECTION  EAR EXPORT CONTROLLED TECHNICAL DATA: DISTRIBUTION LIMITED TO U.S. PERSONS OR THOSE NON-U.S. PERSONS COVERED BY AN APPROPRIATE EXPORT LICENSE OR ALLOWED FOR BY THE APPROPRIATE REGULATIONS. ECCN: EAR99.

FILE STORED AS:
S-MF5000

APPROVED DATE 20 JUL 1977	CURRENT DESIGN ACTIVITY:  HOWMET AEROSPACE	TITLE: NUT - ANCHOR, 2 LUG, MINIATURE, FLOATING, SELF LOCKING, ASSEMBLY	CURRENT DESIGN ACTIVITY: CAGE CODE: 15653
REV. LETTER AND DATE D 17 FEB 2026	Howmet Fastening Systems 800 S State College Boulevard Fullerton, California, 92831	UNLESS OTHERWISE SPECIFIED, DIMENSIONS ARE IN INCHES & ASME Y14.5-2018 TOLERANCES: DECIMALS = ±.010; ANGLES = ±2°	SALES DRAWING No.
CUSTOMER: -			MF5000-(*)