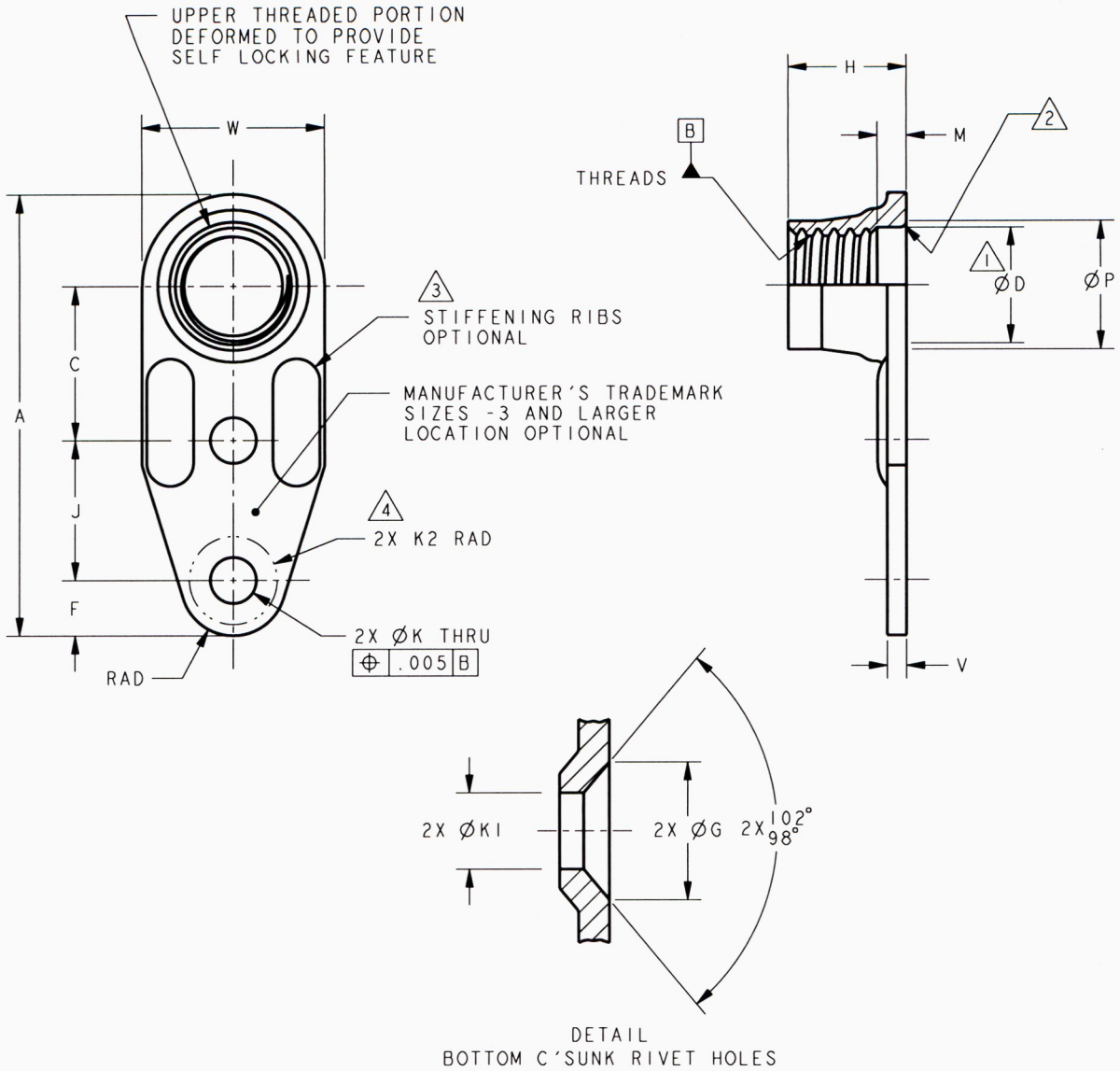


MANUFACTURER OF THE PROPRIETARY PARTS SHOWN HERE WITHOUT WRITTEN CONSENT OF HOWMET FASTENING SYSTEMS IS ABSOLUTELY PROHIBITED.

THIS DRAWING EMBODIES HOWMET FASTENING SYSTEMS CONFIDENTIAL, PROPRIETARY DESIGN & ALL DESIGN, MANUFACTURING PRODUCTION, USE & SALE RIGHTS REGARDING SAME ARE EXPRESSLY RESERVED.



DETAIL  
BOTTOM C'SUNK RIVET HOLES

HFS PART NO.	THREADS PER AS8879	A	C	ØD	F	ØG	H	J	ØK	ØKI	K2	M	ØP	V	W	AXIAL TENSILE STRENGTH lbf MIN	MAXIMUM WEIGHT lbs/100
		MAX		MIN	MIN		MAX			MIN	MIN	MIN	MIN	MAX	MAX		
K2000-	06 .1380-32UNJC-3B	.935		.142			.171					----	.206		.297 .239	1,300	.28
	08 .1640-32UNJC-3B		.349 .339	.168	.100	.210 .190	.250		.103 .098	.113 .098	.098		.248	.047	.297 .277	1,720	.29
	3 .1900-32UNJF-3B	.950		.194									.274		.328 .308	2,460	.33
	4 .2500-28UNJF-3B	.993		.254			.281	.314 .310				.062	.344	.055	.414 .375	4,580	.57
	5 .3125-24UNJF-3B	1.210	.505 .495	.317	.125	.328		.135 .130	.145 .130	.130			.417	.065	.505 .485	7,390	.96
	6 .3750-24UNJF-3B	1.264		.379		.240 .220	.344						.505	.075	.614 .594	11,450	1.44
	7 .4375-20UNJF-3B	1.446	.567 .557	.442	.156		.390	.346 .342	.166 .161	.176 .161	.161			.602	.085	.726 .697	15,450

© 2026 HOWMET AEROSPACE INC. ALL RIGHTS RESERVED.

THIRD ANGLE PROJECTION EAR EXPORT CONTROLLED TECHNICAL DATA: DISTRIBUTION LIMITED TO U.S. PERSONS OR THOSE NON-U.S. PERSONS COVERED BY AN APPROPRIATE EXPORT LICENSE OR ALLOWED FOR BY THE APPROPRIATE REGULATIONS. ECCN: EAR99.

FILE STORED AS: S-K2000	APPROVED DATE 06AUG1968	CURRENT DESIGN ACTIVITY:	TITLE: <b>NUT - ANCHOR, 1 LUG, FIXED, SELF LOCKING</b>	CURRENT DESIGN ACTIVITY: <b>CAGE CODE: 15653</b>
	REV. LETTER AND DATE C 16FEB2026	 <b>HOWMET AEROSPACE</b> Howmet Fastening Systems 800 S State College Boulevard Fullerton, California, 92831	UNLESS OTHERWISE SPECIFIED, DIMENSIONS ARE IN INCHES & ASME Y14.5-2018 TOLERANCES: DECIMALS = ±.010; ANGLES = ±2°	<b>SALES DRAWING No.</b>
	CUSTOMER: -			<b>K2000-(* )</b>

TEL: (714)871-1550

http://www.hfcs.howmet.com

MANUFACTURER OF THE PROPRIETARY PARTS SHOWN HERE WITHOUT WRITTEN CONSENT OF HOWMET FASTENING SYSTEMS IS ABSOLUTELY PROHIBITED.

THIS DRAWING EMBODIES HOWMET FASTENING SYSTEMS CONFIDENTIAL, PROPRIETARY DESIGN & ALL DESIGN, MANUFACTURING PRODUCTION, USE & SALE RIGHTS REGARDING SAME ARE EXPRESSLY RESERVED.

MATERIAL: C1050 CARBON STEEL PER AMS5085 (UNS G10500) IN ACCORDANCE WITH ASTM A827/A827M OR ASTM A684/A684M. ALLOY STEEL 4130 (UNS G41300), 4340 (UNS G43400) OR 8740 (UNS G87400) IN ACCORDANCE WITH ASTM A29/A29M OR AMS6322.

HEAT TREAT: HRC 49 MAXIMUM.

FINISH: K2000-(\*) : CADMIUM PLATE PER AMS-QQ-P-416, CLASS 2, PLUS SOLID FILM LUBE PER AS5272, TYPE I.  
 K2000X(\*) : CADMIUM PLATE PER AMS-QQ-P-416, TYPE II, CLASS 2.  
 K2000-(\*)CW: CADMIUM PLATE PER AMS-QQ-P-416, TYPE II, CLASS 2, PLUS WAX.

PERFORMANCE: NASM25027.

TEMPERATURE: 450 °F.


VARIATIONS: ADD BC FOR BOTTOM C'SUNK RIVET HOLES, EXAMPLE: K2000-4BC.

- NOTES:
1. FOR SIZE -06, COUNTERSINK WITHIN THE LIMITS OF ØD.
  2. SHAPE OF CORNER MAY BE SQUARE, ROUND OR C'SUNK WITHIN THE LIMITS OF ØP.
  3. OPTIONAL STIFFENING RIB TO BE H/1.5 MAXIMUM HEIGHT.
  4. K2 IS CLEARANCE FOR ATTACHING RIVETS.
  5. SURFACE TEXTURE TO BE 125 MICRONS Ra MAXIMUM IN ACCORDANCE WITH ASME B46.1.
  6. UNLESS OTHERWISE SPECIFIED:
    - A) DIMENSIONS APPLY PRIOR TO LUBE.
    - B) REMOVE ALL BURRS AND SHARP EDGES.

©2026 HOWMET AEROSPACE INC. ALL RIGHTS RESERVED.

THIRD ANGLE PROJECTION 

EAR EXPORT CONTROLLED TECHNICAL DATA: DISTRIBUTION LIMITED TO U.S. PERSONS OR THOSE NON-U.S. PERSONS COVERED BY AN APPROPRIATE EXPORT LICENSE OR ALLOWED FOR BY THE APPROPRIATE REGULATIONS. ECCN: EAR99.

FILE STORED AS: S_K2000	APPROVED DATE 06AUG1968	CURRENT DESIGN ACTIVITY:	TITLE:	CURRENT DESIGN ACTIVITY:
	REV. LETTER AND DATE C 16FEB2026	 <b>HOWMET AEROSPACE</b> Howmet Fastening Systems 800 S State College Boulevard Fullerton, California, 92831	<b>NUT - ANCHOR, 1 LUG, FIXED, SELF LOCKING</b>	CAGE CODE: 15653
	CUSTOMER: -			SALES DRAWING No.
			UNLESS OTHERWISE SPECIFIED, DIMENSIONS ARE IN INCHES & ASME Y14.5-2018 TOLERANCES: DECIMALS = ±.010; ANGLES = ±2°	<b>K2000-(*)</b>
				SHEET 2 OF 2

TEL: (714)871-1550

http://www.hfs.howmet.com