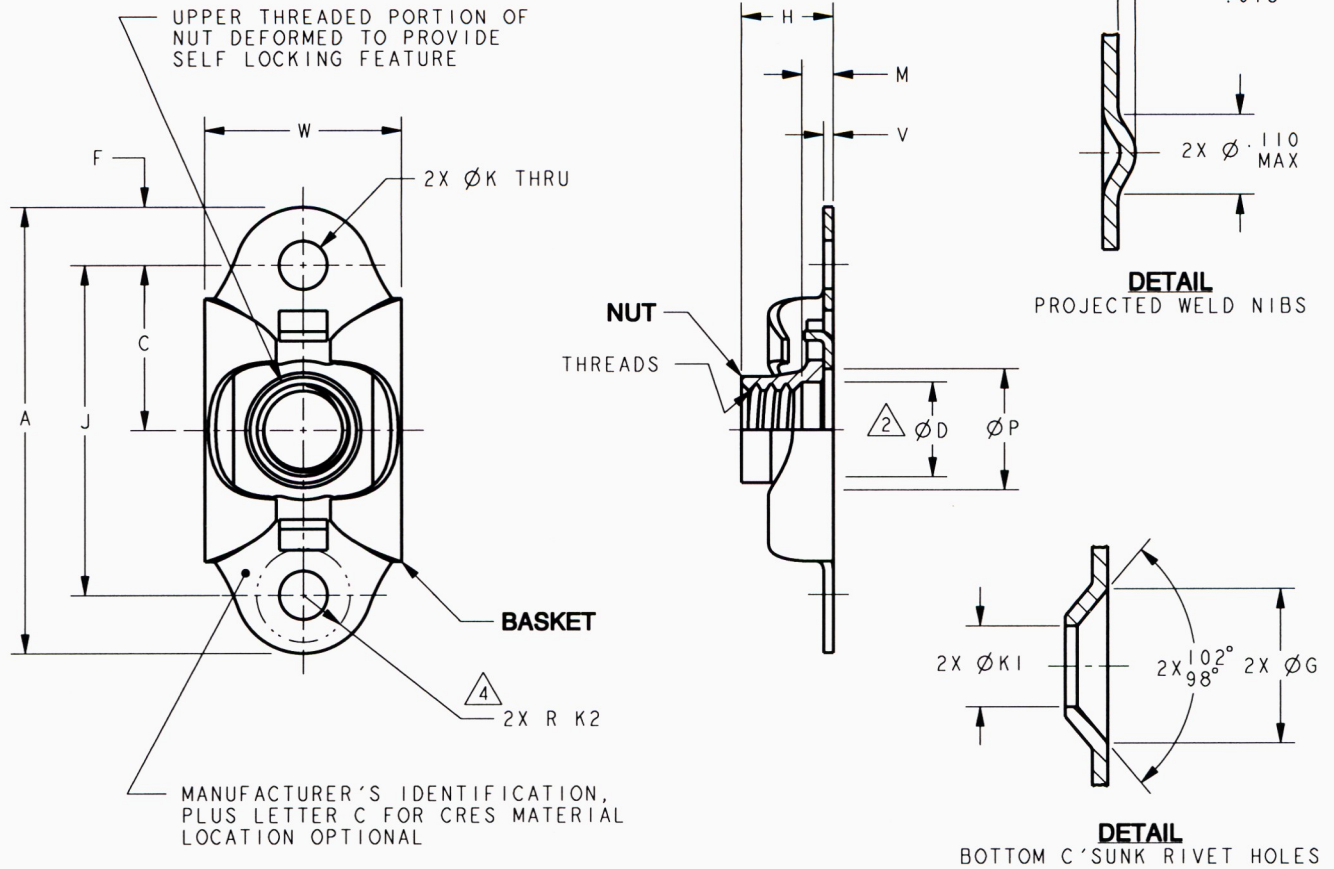


MANUFACTURER OF THE PROPRIETARY PARTS SHOWN HERE WITHOUT WRITTEN CONSENT OF HOWMET FASTENING SYSTEMS IS ABSOLUTELY PROHIBITED.

THIS DRAWING EMBODIES HOWMET FASTENING SYSTEMS CONFIDENTIAL, PROPRIETARY DESIGN & ALL DESIGN, MANUFACTURING PRODUCTION, USE & SALE RIGHTS REGARDING SAME ARE EXPRESSLY RESERVED.



HFS PART NO.	THREADS PER AS8879	A	C	ØD	F	ØG	H	J	ØK	ØK1	ØK2	M	ØP	V	W	MAXIMUM WEIGHT lbs/100	
		MAX		MIN	MIN		MAX					MIN	MIN		MAX		
F5001-	04	.1120-40UNJC-3B					.175						.270 .172			.38	
	06	.1380-32UNJC-3B					.203						.270 .198			.39	
	08	.1640-32UNJC-3B	.948	.349 .339	.168			.690 .686					.270 .224		.416 .290	.40	
	1024	.1900-24UNJC-3B				.100	.210 .190	.250	.103 .098	.113 .098	.098		.270 .250	.032		.41	
	3	.1900-32UNJF-3B			.194												
	420	.2500-20UNJC-3B			.254			.281					.062	.330 .310	.516 .350	.90	
	4	.2500-28UNJF-3B															
	5	.3125-24UNJF-3B	1.292	.505 .495	.317			.328	1.002 .998					.392 .372	.045	.609 .412	1.26
	616	.3750-16UNJC-3B			.379	.125	.240 .220	.344		.135 .130	.145 .130	.130		.455 .435	.055	.680 .475	1.55
	6	.3750-24UNJF-3B															
8	.5000-20UNJF-3B	1.602	.630 .620	.504	.146		.630	1.252 1.248	.166 .161	.176 .161	.161		.580 .560	.115	.859 .796	4.00	

© 2026 HOWMET AEROSPACE INC. ALL RIGHTS RESERVED.

THIRD ANGLE PROJECTION EAR EXPORT CONTROLLED TECHNICAL DATA: DISTRIBUTION LIMITED TO U.S. PERSONS OR THOSE NON-U.S. PERSONS COVERED BY AN APPROPRIATE EXPORT LICENSE OR ALLOWED FOR BY THE APPROPRIATE REGULATIONS. ECCN: EAR99.

FILE STORED AS: S\_F5001

APPROVED DATE 09APR1987	CURRENT DESIGN ACTIVITY: <b>HOWMET AEROSPACE</b>	TITLE: <b>NUT - ANCHOR, 2 LUG, FLOATING, SELF LOCKING, ASSEMBLY</b>	CURRENT DESIGN ACTIVITY: <b>CAGE CODE: 15653</b>
REV. LETTER AND DATE D 05FEB2026	Howmet Fastening Systems 800 S State College Boulevard Fullerton, California, 92831	UNLESS OTHERWISE SPECIFIED, DIMENSIONS ARE IN INCHES & ASME Y14.5-2018 TOLERANCES: DECIMALS = ±.010; ANGLES = ±2°	<b>SALES DRAWING No.</b>
CUSTOMER: -			<b>F5001-(*)</b>
			SHEET 1 OF 2

http://www.hfs.howmet.com TEL: (714)871-1550

MANUFACTURER OF THE PROPRIETARY PARTS SHOWN HERE WITHOUT WRITTEN CONSENT OF HOWMET FASTENING SYSTEMS IS ABSOLUTELY PROHIBITED.

THIS DRAWING EMBODIES HOWMET FASTENING SYSTEMS CONFIDENTIAL PROPRIETARY DESIGN & ALL DESIGN, MANUFACTURING PRODUCTION, USE & SALE RIGHTS REGARDING SAME ARE EXPRESSLY RESERVED.

MATERIAL: NUT: A286 CORROSION RESISTANT STEEL PER AMS5525, AMS5732, AMS5737 OR AMS5853 (UNS S66286).  
 BASKET: A286 CORROSION RESISTANT STEEL PER AMS5525 (UNS S66286).

HEAT TREAT: HRC 49 MAXIMUM.

FINISH: NUT:  
 SOLID FILM LUBE PER AS5272, TYPE I.  
 BASKET:  
 PASSIVATE PER ASTM A967/A967M. OPTIONAL SOLID FILM LUBE.

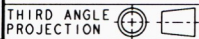
PERFORMANCE: NASM25027.

TEMPERATURE: 450 °F.

VARIATION: ADD BC FOR BOTTOM C'SUNK RIVET HOLES.  
 EXAMPLE: F5001-4BC.  
 ADD P FOR BOTTOM PROJECTED WELD NIBS.  
 EXAMPLE: F5001-4P.


- NOTES:
1. FLOATABILITY:  
 RADIALLY: .030 MINIMUM FROM CENTERED POSITION, ALL SIZES.  
 LATERALLY AND LONGITUDINALLY: .030-.040 FROM CENTERED POSITION, ALL SIZES.  
 AXIALLY: .020 MAXIMUM, -04 THRU -6 SIZES.  
 .030 MAXIMUM, -8 SIZE.
  2. FOR SIZES -04 AND -06, C'SINK OR RADIUS WITHIN THE LIMITS OF "ØD".
  3. MAGNETIC PERMEABILITY SHALL BE LESS THAN 2.0 (AIR=1.0) FOR A FIELD STRENGTH OF 200 OERSTEDS USING A MAGNETIC PERMEABILITY INDICATOR PER ASTM A342/A342M. REQUIREMENT DOES NOT APPLY TO 1024, 420, 616 OR 8 SIZES.
  4. K2 IS CLEARANCE FOR ATTACHING RIVETS.
  5. SURFACE TEXTURE TO BE 125 MICROINCHES Ra MAXIMUM PER ASME B46.1.

© 2026 HOWMET AEROSPACE INC. ALL RIGHTS RESERVED.



EAR EXPORT CONTROLLED TECHNICAL DATA: DISTRIBUTION LIMITED TO U.S. PERSONS OR THOSE NON-U.S. PERSONS COVERED BY AN APPROPRIATE EXPORT LICENSE OR ALLOWED FOR BY THE APPROPRIATE REGULATIONS. ECCN: EAR99

FILE STORED AS:  
S\_F5001

APPROVED DATE 09APR1987	CURRENT DESIGN ACTIVITY:  HOWMET AEROSPACE Howmet Fastening Systems 800 S State College Boulevard Fullerton, California, 92831	TITLE: <b>NUT - ANCHOR, 2 LUG,                  FLOATING, SELF LOCKING,                  ASSEMBLY</b>	CURRENT DESIGN ACTIVITY: <b>CAGE CODE: 15653</b> <b>SALES DRAWING No.</b>  <b>F5001-(*)</b>
REV. LETTER AND DATE D 05FEB2026		UNLESS OTHERWISE SPECIFIED, DIMENSIONS ARE IN INCHES & ASME Y14.5-2018 TOLERANCES: DECIMALS = ±.010; ANGLES = ±2°	SHEET 2 OF 2
CUSTOMER: -			

http://www.hfs.howmet.com TEL: (714)871-1550