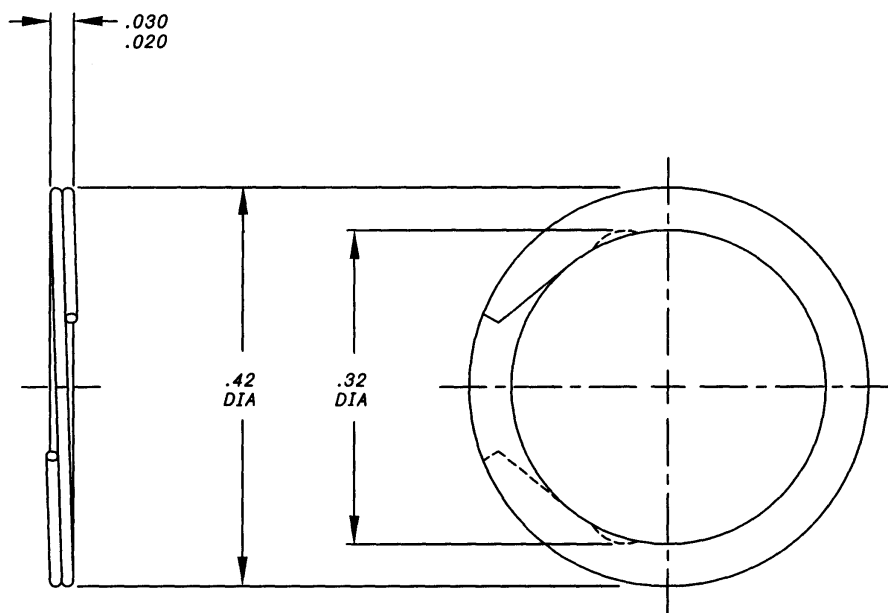


Camloc . Delron . Deutsch . Huck . K-Fast . Kaynar . Microdot . RAM . Rosan . Screwcorp . Tridair . Voi-Shan

MANUFACTURE OF THE PROPRIETARY PARTS SHOWN HERE WITHOUT WRITTEN CONSENT IS ABSOLUTELY PROHIBITED



**NOTES; UNLESS OTHERWISE SPECIFIED:**

1. THIS RING DESIGNED FOR USE ON FX10-1500 SERIES SCREW ASSEMBLIES AND CA1797 TYPE STUD NUTS.
2. INSTALLATION TOOL:  
 A.) USE FX10-1530T TO INSTALL RINGS ON FX10-1500 SERIES SCREW ASSEMBLYS.  
 B.) USE CA1797-T10 TO INSTALL RINGS ON CA1795-( ) AND CA17036-( ) STUD NUTS.
3. PANEL PREPARATION DATA:  
 A.) RETAINING RING RECESS: C'BORE .531 DIAMETER x .030-.035 DEEP.  
 B.) MAXIMUM SUBSTRUCTURE HOLE: .390 DIAMETER.
4. MATERIAL: 18-8 TYPE 300 SERIES CRES, PER AMS5866 OR MIL-S-5059 AND/OR QQ-S-766 (CHEMISTRY ONLY).
5. HEAT TREAT: STRESS RELIEVE.
6. FINISH: PASSIVATED PER AMS2700 .
7. WEIGHT: .312 LBS/1000 PIECES (APPROXIMATE).

THIS DRAWING EMBODIES A CONFIDENTIAL, PROPRIETARY DESIGN & ALL DESIGN, MANUFACTURING PRODUCTION, USE & SALE RIGHTS REGARDING SAME ARE EXPRESSLY RESERVED.

INTERIM DOCUMENT REVISION		
Rev.	Date	DAF#
U1	10/8/2018	117431

APPROVED DATE 29 MAY 93	CURRENT DESIGN ACTIVITY: <b>ARCONIC</b>	TITLE: <b>RETAINING RING OR FASTENER</b>	CURRENT DESIGN ACTIVITY: <b>CAGE CODE: 29372</b>
REV. LETTER AND DATE <u>U</u> 19 AUG 05	Arconic Fastening Systems		<b>SALES DRAWING NO.</b>
DAF NUMBER DAF 69239	<b>TRIDAIR PRODUCTS</b> 3000 W. LOMITA BLVD. TORRANCE, CA 90505	UNLESS OTHERWISE SPECIFIED DIMENSIONS ARE IN INCHES & ASME Y14.5M TOLERANCES:	<b>FX10-1525</b> SHEET 1 OF 1

S42846