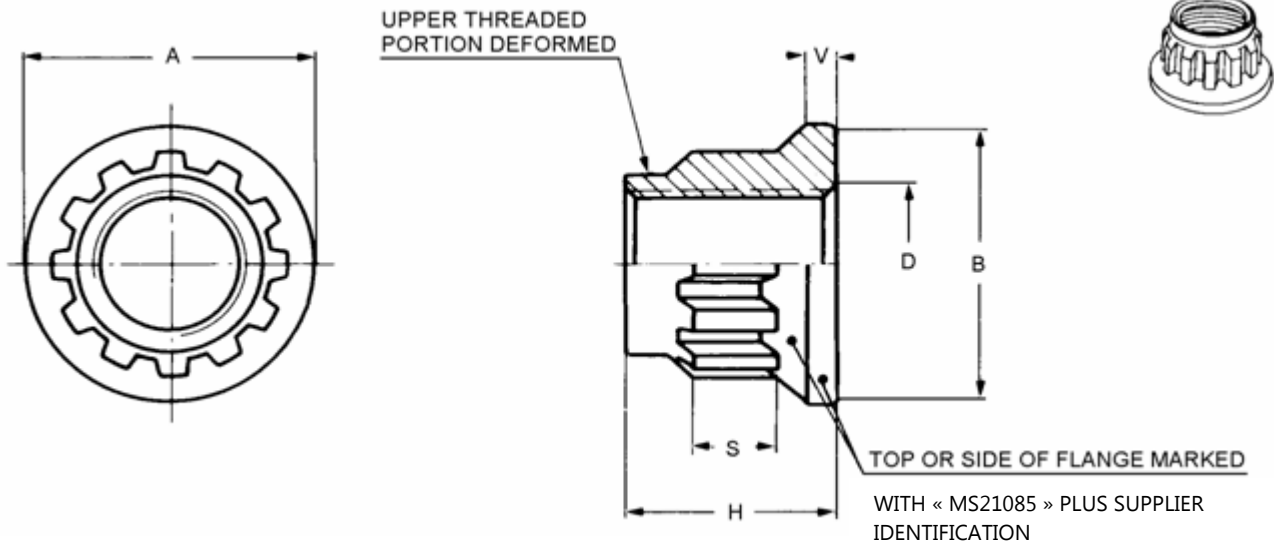




Arconic Fixations Simmonds SAS

9, rue des Cressonnières
72110 Saint-Cosme-en-Vairais – France - F0224
Tél : 33 (0)2-43-31-41-00
Fax : 33 (0)2-43-33-18-02



SIMMONDS PART NUMBER	THREAD	MS33787 ELEMENT NUMBER	A MAX.	B MIN.	D		H MAX.	S MIN.	V MIN.	X	ULTIMATE AXIAL STRENGTH LB/MIN.	APPROX WEIGHT LB/100
					MAX.	MIN.						
DCE45279-3	.1900-32 UNJF-3B	8	.377	.337	.220	.190	.250	.095	.025	.003	5,640	.30
DCE45279-4	.2500-28 UNJF-3B	10	.481	.441	.280	.250	.315	.125	.033	.003	10,100	.59
DCE45279-5	.3125-24 UNJF-3B	12	.588	.548	.342	.312	.405	.156	.041	.003	16,000	1.00
DCE45279-6	.3750-24 UNJF-3B	16	.701	.661	.405	.375	.490	.188	.049	.003	24,700	1.90
DCE45279-7	.4375-20 UNJF-3B	18	.821	.771	.473	.438	.570	.219	.057	.003	33,500	2.70
DCE45279-8	.5000-20 UNJF-3B	20	.933	.883	.535	.500	.650	.250	.065	.003	44,600	4.40
DCE45279-9	.5625-18 UNJF-3B	24	1.041	.991	.597	.562	.730	.281	.073	.004	56,600	6.20
DCE45279-10	.6250-18 UNJF-3B	26	1.154	1.104	.660	.625	.810	.313	.081	.004	70,800	8.70
DCE45279-12	.7500-16 UNJF-3B	30	1.375	1.325	.785	.750	.980	.375	.098	.004	103,000	14.00
DCE45279-14	.8750-14 UNJF-3B	36	1.592	1.542	.910	.875	1.140	.438	.114	.005	140,000	23.00
DCE45279-16	1.0000-12 UNJF-3B	40	1.810	1.760	1.035	1.000	1.300	.500	.130	.006	183,000	33.00

Contact Arconic for the diameter/type in manufacturing.

■ Dimensions in Inches

MATERIAL: Alloy steel, AMS6304 and AMS6487. Heat treated 48HRC max.

FINISH: DCE45279-3 – Cadmium plate – AMQ-QQ-P416 Type II, Class 2, soluble lubricant.
DCE45279-3M – Cadmium plate – AMS-QQ-P416 Type II, Class 2, dry film lubricant.

PERPENDICULARITY: Bearing surface shall be normal with pitch diameter of thread within X when checked in accordance with procurement specification.

PERFORMANCE: NASM8984.

THREADS: AS8879 before lubrication.

NOTES:
1. Wrenches available from Snap-on tools corporation.
2. Spline Dimensions – per MS33787.

NUT, SELF - LOCKING, STEEL, 260 KSI Ft_u, 450°F, FLANGED, MS33787 WRENCHING ELEMENT

DCE45279--UNJ**