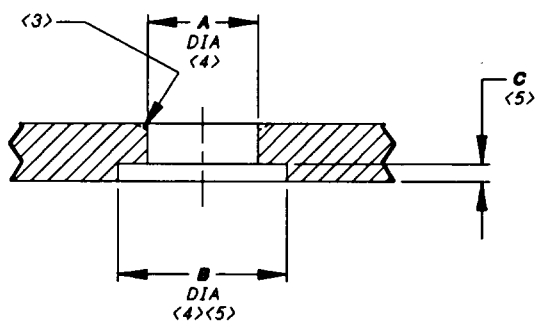
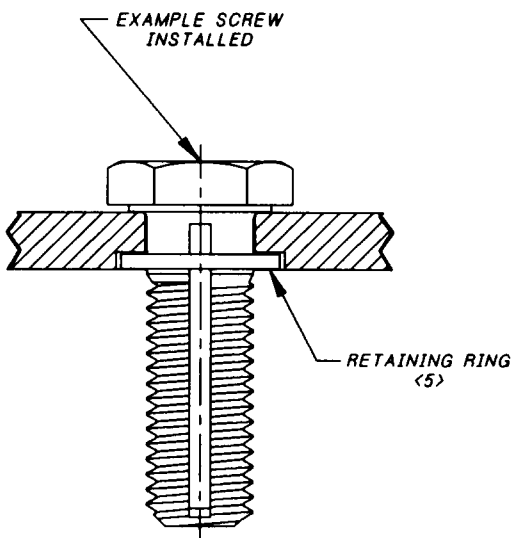


Voi-Shan • Tridair • Screwcorp



SCREW THREAD SIZE	A DIA	B DIA	C DEPTH
M3.5x0.6	3.51 3.66	6.86 7.11	0.64 0.89
M4x0.7	4.02 4.17	8.13 8.40	0.76 1.02
M5x0.8	5.05 5.20	9.40 9.55	0.89 1.14
M6x1	6.02 6.17	11.20 11.35	0.89 1.14



PANEL PREPARATION & INSTALLATION

NOTES:

1. DRILL A DIAMETER HOLE THRU PANEL.
2. COUNTERBORE B DIAMETER x C DEPTH FOR RETAINING RING CAVITY.
- <3> WHEN USING FLUSH HEAD SCREWS. COUNTERSINK PANEL TOP SURFACE IN ACCORDANCE WITH THE REQUIREMENTS OF THE SCREW BEING USED.
- <4> WHEN SCREW FLOAT IS REQUIRED (FOR PROTRUDING HEAD SCREWS), A AND B DIAMETERS MAY BE INCREASED TO ACCOMODATE SIDE-TO-SIDE MOVEMENT OF THE SCREW. CARE SHOULD BE TAKEN SO THAT THE INCREASED HOLE DIAMETERS DO NOT ALLOW EITHER THE SCREW HEAD OR THE RETAINING RING TO FALL INTO OR THRU THE A DIAMETER HOLE.
- <5> B DIAMETER x C DEPTH RETAINING RING CAVITY MAY BE IN THE BOTTOM SURFACE OF THE TOP PANEL AS SHOWN OR IN THE TOP SURFACE OF THE SUBSTRUCTURE AT CUSTOMERS OPTION.
6. SEE DRAWING NUMBER CA2210T-M() FOR INSTALLATION PROCEDURE.
7. DIMENSION ARE IN MILLIMETERS.

PROJECT NUMBER: 92-114

APPROVED DATE	Fairchild AEROSPACE FASTENER DIVISION ENGINEERING CENTER 3010 WEST LOMITA BOULEVARD TORRANCE, CA 90505	CAGE CODE 92215 TRIDAIR PRODUCT
15 JAN 92		
REV. LETTER AND DATE		
B 16 MAR 94	INSTALLATION DATA, SOLID RETAINING RING TYPE CAPTIVE SCREW ASSEMBLIES METRIC SIZES	CAL-STD-0273
ECN NUMBER		
ECN 35055		SHEET 1 OF 1

SCANNED