

MANUFACTURE OF THE PROPRIETARY PARTS SHOWN HERE WITHOUT WRITTEN CONSENT OF ARCONIC FASTENING SYSTEMS AND RINGS IS ABSOLUTELY PROHIBITED.
 THIS DRAWING EMBODIES A CONFIDENTIAL PROPRIETARY DESIGN & ALL DESIGN, MANUFACTURING PRODUCTION, USE & SALE RIGHTS REGARDING SAME ARE EXPRESSLY RESERVED.

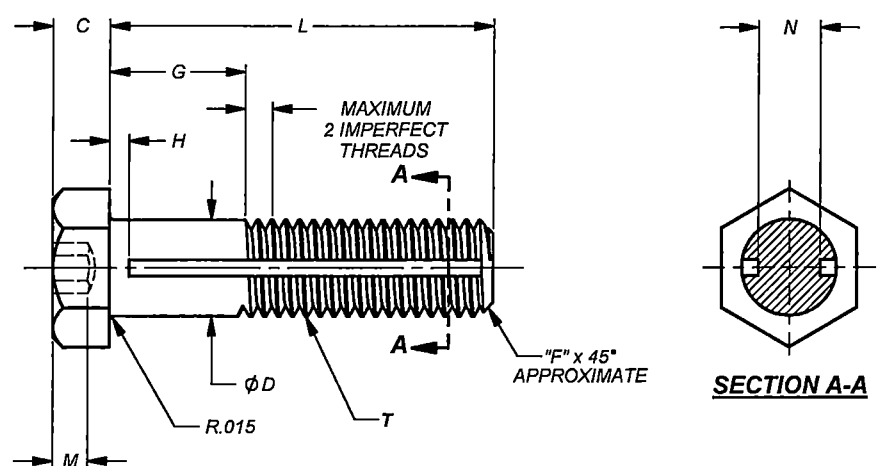
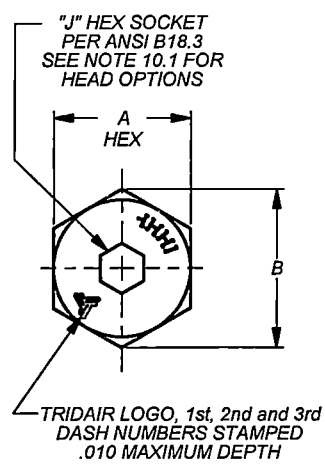


FIGURE 1 - HEX SOCKET RECESS

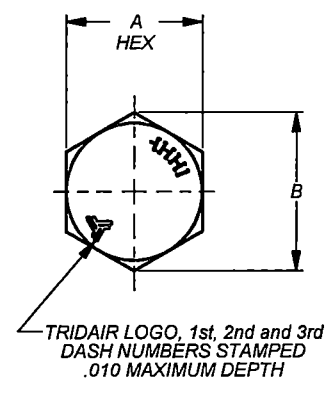
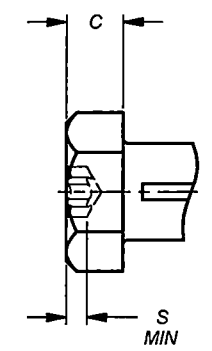
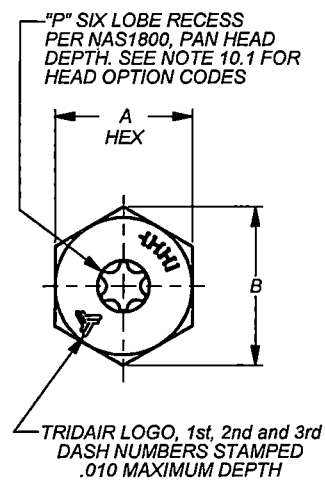


FIGURE 2 - SIX LOBE RECESS

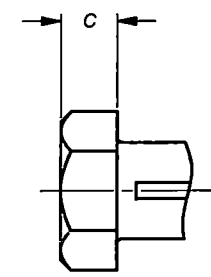


FIGURE 3 - NO RECESS

TABLE 1

NOMINAL THREAD SIZE	T THREAD PER AS8879	A HEX	B REF	ØC	ØD	F	H MAX	J	K
-06	.1380-32	.250	.272	.138	.1375	.030	.050	.109	.040
	UNJC-3A	.244		.134	.1365				
-08	.1640-32	.250	.272	.164	.1635	.030	.050	.141	.040
	UNJC-3A	.244		.159	.1625				
-10	.1900-32	.312	.348	.190	.1895	.030	.050	.156	.040
	UNJF-3A	.305		.185	.1885				
-4	.2500-28	.375	.410	.250	.2495	.035	.050	.188	.040
	UNJF-3A	.367		.244	.2485				
-5	.3125-24	.500	.545	.312	.3120	.040	.065	.250	.050
	UNJF-3A	.489		.306	.3115				
-6	.3750-24	.562	.614	.375	.3745	.040	.065	.312	.050
	UNJF-3A	.551		.368	.3740				

TABLE 1 CONT'

NOMINAL THREAD SIZE	T THREAD PER AS8879	M MIN	N MIN	P RECESS NUMBER	R RAD	S MIN	ULTIMATE TENSILE STRENGTH MINIMUM (CALCULATED)	ULTIMATE SHEAR STRENGTH MINIMUM THRU THREAD (CALCULATED)	ULTIMATE SHEAR STRENGTH MINIMUM THRU SHANK (CALCULATED)
-06	.1380-32	.064	.067	T10	.010	.044	1,060 LBS.	750 LBS.	970 LBS.
	UNJC-3A				.005				
-08	.1640-32	.077	.086	T20	.020	.044	1,650 LBS.	990 LBS.	1,400 LBS.
	UNJC-3A				.010				
-10	.1900-32	.090	.108	T20	.020	.054	2,425 LBS.	1,450 LBS.	1,950 LBS.
	UNJF-3A				.010				
-4	.2500-28	.120	.162	T30	.020	.054	4,625 LBS.	2,775 LBS.	3,580 LBS.
	UNJF-3A				.010				
-5	.3125-24	.151	.205	T30	.020	.064	7,400 LBS.	4,425 LBS.	5,650 LBS.
	UNJF-3A				.010				
-6	.3750-24	.182	.268	T40	.025	.069	11,300 LBS.	7,300 LBS.	7,300 LBS.
	UNJF-3A				.015				

APPROVED DATE
18 MAR 93

CURRENT DESIGN ACTIVITY:

ARCONIC
Fastening Systems and Rings

TITLE:
SCREW, CAPTIVE, HEX HEAD,
CRES, 160 KSI

CURRENT DESIGN ACTIVITY:
CAGE CODE: 29372
SALES DRAWING NO.

REV. LETTER AND DATE
T 29 AUG 18

DAF NUMBER
DAF 117282

TRIDAIR PRODUCTS
3000 W. LOMITA BLVD.
TORRANCE, CA. 90505

UNLESS OTHERWISE SPECIFIED
DIMENSIONS ARE IN INCHES &
ASME Y14.5M TOLERANCES:

ANGLES DECIMALS ±.3° ±.02 .XXX ±.010

CA2290-(-)-(-)-(-)
SHEET 1 OF 5

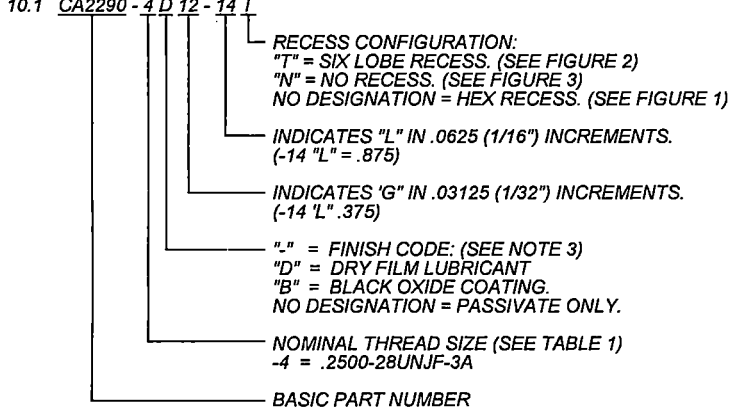
S43216

MANUFACTURE OF THE PROPRIETARY PARTS SHOWN HERE WITHOUT WRITTEN CONSENT OF ARCONIC FASTENING SYSTEMS AND RINGS IS ABSOLUTELY PROHIBITED.
 THIS DRAWING EMBODIES A CONFIDENTIAL, PROPRIETARY DESIGN & ALL DESIGN, MANUFACTURING PRODUCTION, USE & SALE RIGHTS REGARDING SAME ARE EXPRESSLY RESERVED.

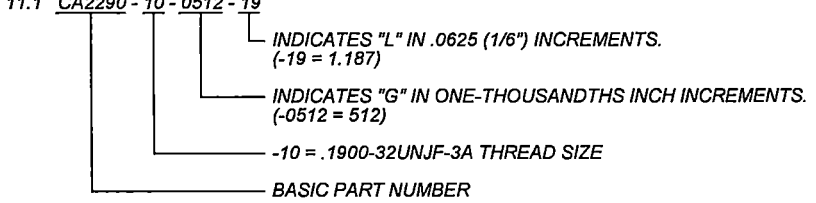
NOTES; UNLESS OTHERWISE SPECIFIED:

1. MATERIAL:
 - 1.1 A286 CRES PER AMS5731 OR AMS5737.
2. HEAT TREAT:
 - 2.1 160 KSI MINIMUM TENSILE.
3. FINISH:
 - 3.1 PASSIVATED PER AMS2700, METHOD 1.
 - 3.2 OPTIONAL: DRY FILM LUBE PER ASS272, DESIGNATED BY LETTER "D" (DIMENSIONS APPLY BEFORE LUBE).
 - 3.3 OPTIONAL: BLACK OXIDE COATING PER MIL-DTL-13924, DESIGNATED BY LETTER "B".
4. THESE SCREWS ARE DESIGNED TO BE USED WITH CA2210-()R RETAINING RING TO CAPTIVATE TO PANEL.
5. PANEL PREPARATION PER ARCONIC FASTENING SYSTEMS CAL-STD-0260.
6. INSTALLATION PROCEDURE PER ARCONIC FASTENING SYSTEMS SALES DRAWING NUMBER CA2210T-().
7. TOLERANCES, UNLESS OTHERWISE SPECIFIED: .XX .02, .XXX .010, ANGLES 2°.
8. MAGNETIC PERMEABILITY IS LESS THAN 2.0 (AIR = 1.0) FOR A FIELD STRENGTH OF H200 OERSTEDS
 MAGNETIC PERMEABILITY INDICATOR PER ASTM A342.
9. LONGER GRIPS (IN 1/32" INCREMENTS) AND LONGER LENGTHS (IN 1/16" INCREMENTS) THAN ARE SHOWN IN TABLES 2 THRU 7 MAY BE ORDERED.

10. STANDARD PARTS CALLOUT EXAMPLES COVERING DASH NUMBERS SHOWN IN TABLES 2 THRU 7:



11. SPECIAL PART CALLOUT EXAMPLE:



APPROVED DATE 18 MAR 93	CURRENT DESIGN ACTIVITY: ARCONIC Fastening Systems and Rings	TITLE: SCREW, CAPTIVE, HEX HEAD, CRES, 160 KSI	CURRENT DESIGN ACTIVITY: CAGE CODE: 29372
REV. LETTER AND DATE T 29 AUG 18	TRIDAIR PRODUCTS 3000 W. LOMITA BLVD. TORRANCE, CA. 90505	UNLESS OTHERWISE SPECIFIED DIMENSIONS ARE IN INCHES & ASME Y14.5M TOLERANCES:	SALES DRAWING NO.
DAF NUMBER DAF 117282			CA2290-()-()-() SHEET 2 OF 5

S43216

TABLE 2

	G GRIP									L LENGTH
	.062	.094	.125	.156	.187	.218	.250	.281	.312	
.1380-32 SIZE FIRST DASH NUMBER -06	-2-5	-----	-----	-----	-----	-----	-----	-----	-----	.312
	-2-7	-3-7	-4-7	-5-7	-6-7	-7-7	-8-7	-9-7	-10-7	.437
	-2-8	-3-8	-4-8	-5-8	-6-8	-7-8	-8-8	-9-8	-10-8	.500
	-2-9	-3-9	-4-9	-5-9	-6-9	-7-9	-8-9	-9-9	-10-9	.562
	-2-10	-3-10	-4-10	-5-10	-6-10	-7-10	-8-10	-9-10	-10-10	.625
	-2-11	-3-11	-4-11	-5-11	-6-11	-7-11	-8-11	-9-11	-10-11	.687
	-2-12	-3-12	-4-12	-5-12	-6-12	-7-12	-8-12	-9-12	-10-12	.750
	-2-13	-3-13	-4-13	-5-13	-6-13	-7-13	-8-13	-9-13	-10-13	.812
	-2-14	-3-14	-4-14	-5-14	-6-14	-7-14	-8-14	-9-14	-10-14	.875
	-2-15	-3-15	-4-15	-5-15	-6-15	-7-15	-8-45	-9-15	-10-15	.937
	-2-16	-3-16	-4-16	-5-16	-6-16	-7-16	-8-16	-9-16	-10-16	1.000
	-2-17	-3-17	-4-17	-5-17	-6-17	-7-17	-8-17	-9-17	-10-17	1.062
	-2-18	-3-18	-4-18	-5-18	-6-18	-7-18	-8-18	-9-18	-10-18	1.125
	-2-19	-3-19	-4-19	-5-19	-6-19	-7-19	-8-19	-9-19	-10-19	1.187
	-2-20	-3-20	-4-20	-5-20	-6-20	-7-20	-8-20	-9-20	-10-20	1.250
	-2-21	-3-21	-4-21	-5-21	-6-21	-7-21	-8-21	-9-21	-10-21	1.312
	-2-22	-3-22	-4-22	-5-22	-6-22	-7-22	-8-22	-9-22	-10-22	1.375
	-2-23	-3-23	-4-23	-5-23	-6-23	-7-23	-8-23	-9-23	-10-23	1.437
	-2-24	-3-24	-4-24	-5-24	-6-24	-7-24	-8-24	-9-24	-10-24	1.500
	-2-25	-3-25	-4-25	-5-25	-6-25	-7-25	-8-25	-9-25	-10-25	1.562
	-2-26	-3-26	-4-26	-5-26	-6-26	-7-26	-8-26	-9-26	-10-26	1.625
	-2-27	-3-27	-4-27	-5-27	-6-27	-7-27	-8-27	-9-27	-10-27	1.687
	-2-28	-3-28	-4-28	-5-28	-6-28	-7-28	-8-28	-9-28	-10-28	1.750

TABLE 3

	G GRIP									L LENGTH
	.062	.094	.125	.156	.187	.218	.250	.281	.312	
.1640-32 SIZE FIRST DASH NUMBER -08	-2-7	-3-7	-4-7	-5-7	-6-7	-7-7	-8-7	-9-7	-10-7	.437
	-2-8	-3-8	-4-8	-5-8	-6-8	-7-8	-8-8	-9-8	-10-8	.500
	-2-9	-3-9	-4-9	-5-9	-6-9	-7-9	-8-9	-9-9	-10-9	.562
	-2-10	-3-10	-4-10	-5-10	-6-10	-7-10	-8-10	-9-10	-10-10	.625
	-2-11	-3-11	-4-11	-5-11	-6-11	-7-11	-8-11	-9-11	-10-11	.687
	-2-12	-3-12	-4-12	-5-12	-6-12	-7-12	-8-12	-9-12	-10-12	.750
	-2-13	-3-13	-4-13	-5-13	-6-13	-7-13	-8-13	-9-13	-10-13	.812
	-2-14	-3-14	-4-14	-5-14	-6-14	-7-14	-8-14	-9-14	-10-14	.875
	-2-15	-3-15	-4-15	-5-15	-6-15	-7-15	-8-45	-9-15	-10-15	.937
	-2-16	-3-16	-4-16	-5-16	-6-16	-7-16	-8-16	-9-16	-10-16	1.000
	-2-17	-3-17	-4-17	-5-17	-6-17	-7-17	-8-17	-9-17	-10-17	1.062
	-2-18	-3-18	-4-18	-5-18	-6-18	-7-18	-8-18	-9-18	-10-18	1.125
	-2-19	-3-19	-4-19	-5-19	-6-19	-7-19	-8-19	-9-19	-10-19	1.187
	-2-20	-3-20	-4-20	-5-20	-6-20	-7-20	-8-20	-9-20	-10-20	1.250
	-2-21	-3-21	-4-21	-5-21	-6-21	-7-21	-8-21	-9-21	-10-21	1.312
	-2-22	-3-22	-4-22	-5-22	-6-22	-7-22	-8-22	-9-22	-10-22	1.375
	-2-23	-3-23	-4-23	-5-23	-6-23	-7-23	-8-23	-9-23	-10-23	1.437
	-2-24	-3-24	-4-24	-5-24	-6-24	-7-24	-8-24	-9-24	-10-24	1.500
	-2-25	-3-25	-4-25	-5-25	-6-25	-7-25	-8-25	-9-25	-10-25	1.562
	-2-26	-3-26	-4-26	-5-26	-6-26	-7-26	-8-26	-9-26	-10-26	1.625
	-2-27	-3-27	-4-27	-5-27	-6-27	-7-27	-8-27	-9-27	-10-27	1.687
	-2-28	-3-28	-4-28	-5-28	-6-28	-7-28	-8-28	-9-28	-10-28	1.750

MANUFACTURE OF THE PROPRIETARY PARTS SHOWN HERE WITHOUT WRITTEN CONSENT OF ARCONIC FASTENING SYSTEMS AND RINGS IS ABSOLUTELY PROHIBITED.

THIS DRAWING EMBODIES A CONFIDENTIAL PROPRIETARY DESIGN & ALL DESIGN, MANUFACTURING PRODUCTION, USE & SALE RIGHTS REGARDING SAME ARE EXPRESSLY RESERVED.

APPROVED DATE
18 MAR 93

REV. LETTER AND DATE
T 29 AUG 18

DAF NUMBER
DAF 117282

CURRENT DESIGN ACTIVITY:



ARCONIC

Fastening Systems and Rings

TRIDAIR PRODUCTS
3000 W. LOMITA BLVD.
TORRANCE, CA. 90505

TITLE:

SCREW, CAPTIVE, HEX HEAD,
CRES, 160 KSI

UNLESS OTHERWISE SPECIFIED
DIMENSIONS ARE IN INCHES &
ASME Y14.5M TOLERANCES:

ANGLES DECIMALS .XX = ±.02 .XXX = ±.010

CURRENT DESIGN ACTIVITY:

CAGE CODE: 29372

SALES DRAWING NO.

CA2290-()-()-()

SHEET 3 OF 5

S43216

TABLE 4

	G GRIP									L LENGTH
	.062	.094	.125	.156	.187	.218	.250	.281	.312	
.1900-32 SIZE FIRST DASH NUMBER -10	-2-7	-3-7	-4-7	-5-7	-6-7	-7-7	-8-7	-9-7	---	.437
	-2-8	-3-8	-4-8	-5-8	-6-8	-7-8	-8-8	-9-8	-10-8	.500
	-2-9	-3-9	-4-9	-5-9	-6-9	-7-9	-8-9	-9-9	-10-9	.562
	-2-10	-3-10	-4-10	-5-10	-6-10	-7-10	-8-10	-9-10	-10-10	.625
	-2-11	-3-11	-4-11	-5-11	-6-11	-7-11	-8-11	-9-11	-10-11	.687
	-2-12	-3-12	-4-12	-5-12	-6-12	-7-12	-8-12	-9-12	-10-12	.750
	-2-13	-3-13	-4-13	-5-13	-6-13	-7-13	-8-13	-9-13	-10-13	.812
	-2-14	-3-14	-4-14	-5-14	-6-14	-7-14	-8-14	-9-14	-10-14	.875
	-2-15	-3-15	-4-15	-5-15	-6-15	-7-15	-8-45	-9-15	-10-15	.937
	-2-16	-3-16	-4-16	-5-16	-6-16	-7-16	-8-16	-9-16	-10-16	1.000
	-2-17	-3-17	-4-17	-5-17	-6-17	-7-17	-8-17	-9-17	-10-17	1.062
	-2-18	-3-18	-4-18	-5-18	-6-18	-7-18	-8-18	-9-18	-10-18	1.125
	-2-19	-3-19	-4-19	-5-19	-6-19	-7-19	-8-19	-9-19	-10-19	1.187
	-2-20	-3-20	-4-20	-5-20	-6-20	-7-20	-8-20	-9-20	-10-20	1.250
	-2-21	-3-21	-4-21	-5-21	-6-21	-7-21	-8-21	-9-21	-10-21	1.312
	-2-22	-3-22	-4-22	-5-22	-6-22	-7-22	-8-22	-9-22	-10-22	1.375
	-2-23	-3-23	-4-23	-5-23	-6-23	-7-23	-8-23	-9-23	-10-23	1.437
	-2-24	-3-24	-4-24	-5-24	-6-24	-7-24	-8-24	-9-24	-10-24	1.500
	-2-25	-3-25	-4-25	-5-25	-6-25	-7-25	-8-25	-9-25	-10-25	1.562
	-2-26	-3-26	-4-26	-5-26	-6-26	-7-26	-8-26	-9-26	-10-26	1.625
	-2-27	-3-27	-4-27	-5-27	-6-27	-7-27	-8-27	-9-27	-10-27	1.687
	-2-28	-3-28	-4-28	-5-28	-6-28	-7-28	-8-28	-9-28	-10-28	1.750

TABLE 5

	G GRIP									L LENGTH
	.062	.094	.125	.156	.187	.218	.250	.281	.312	
.2500-28 SIZE FIRST DASH NUMBER -4	-2-7	-3-7	-4-7	-5-7	-6-7	-7-7	-8-7	-9-7	---	.437
	-2-8	-3-8	-4-8	-5-8	-6-8	-7-8	-8-8	-9-8	-10-8	.500
	-2-9	-3-9	-4-9	-5-9	-6-9	-7-9	-8-9	-9-9	-10-9	.562
	-2-10	-3-10	-4-10	-5-10	-6-10	-7-10	-8-10	-9-10	-10-10	.625
	-2-11	-3-11	-4-11	-5-11	-6-11	-7-11	-8-11	-9-11	-10-11	.687
	-2-12	-3-12	-4-12	-5-12	-6-12	-7-12	-8-12	-9-12	-10-12	.750
	-2-13	-3-13	-4-13	-5-13	-6-13	-7-13	-8-13	-9-13	-10-13	.812
	-2-14	-3-14	-4-14	-5-14	-6-14	-7-14	-8-14	-9-14	-10-14	.875
	-2-15	-3-15	-4-15	-5-15	-6-15	-7-15	-8-45	-9-15	-10-15	.937
	-2-16	-3-16	-4-16	-5-16	-6-16	-7-16	-8-16	-9-16	-10-16	1.000
	-2-17	-3-17	-4-17	-5-17	-6-17	-7-17	-8-17	-9-17	-10-17	1.062
	-2-18	-3-18	-4-18	-5-18	-6-18	-7-18	-8-18	-9-18	-10-18	1.125
	-2-19	-3-19	-4-19	-5-19	-6-19	-7-19	-8-19	-9-19	-10-19	1.187
	-2-20	-3-20	-4-20	-5-20	-6-20	-7-20	-8-20	-9-20	-10-20	1.250
	-2-21	-3-21	-4-21	-5-21	-6-21	-7-21	-8-21	-9-21	-10-21	1.312
	-2-22	-3-22	-4-22	-5-22	-6-22	-7-22	-8-22	-9-22	-10-22	1.375
	-2-23	-3-23	-4-23	-5-23	-6-23	-7-23	-8-23	-9-23	-10-23	1.437
	-2-24	-3-24	-4-24	-5-24	-6-24	-7-24	-8-24	-9-24	-10-24	1.500
	-2-25	-3-25	-4-25	-5-25	-6-25	-7-25	-8-25	-9-25	-10-25	1.562
	-2-26	-3-26	-4-26	-5-26	-6-26	-7-26	-8-26	-9-26	-10-26	1.625
	-2-27	-3-27	-4-27	-5-27	-6-27	-7-27	-8-27	-9-27	-10-27	1.687
	-2-28	-3-28	-4-28	-5-28	-6-28	-7-28	-8-28	-9-28	-10-28	1.750

MANUFACTURE OF THE PROPRIETARY PARTS SHOWN HERE WITHOUT WRITTEN CONSENT OF ARCONIC FASTENING SYSTEMS AND RINGS IS ABSOLUTELY PROHIBITED.

THIS DRAWING EMBODIES A CONFIDENTIAL, PROPRIETARY DESIGN & ALL DESIGN, MANUFACTURING PRODUCTION, USE & SALE RIGHTS REGARDING SAME ARE EXPRESSLY RESERVED.

APPROVED DATE
18 MAR 93

REV. LETTER AND DATE
T 29 AUG 18

DAF NUMBER
DAF 117282

CURRENT DESIGN ACTIVITY:



ARCONIC
Fastening Systems and Rings

TRIDAIR PRODUCTS
3000 W. LOMITA BLVD.
TORRANCE, CA. 90505

TITLE:
SCREW, CAPTIVE, HEX HEAD,
CRES, 160 KSI

UNLESS OTHERWISE SPECIFIED
DIMENSIONS ARE IN INCHES &
ASME Y14.5M TOLERANCES:

ANGLES DECIMALS .XX = ±.02 .XXX = ±.010

CURRENT DESIGN ACTIVITY:
CAGE CODE: 29372

SALES DRAWING NO.
CA2290-()-()-()

SHEET 4 OF 5

S43216

MANUFACTURE OF THE PROPRIETARY PARTS SHOWN HERE WITHOUT WRITTEN CONSENT OF ARCONIC FASTENING SYSTEMS AND RINGS IS ABSOLUTELY PROHIBITED.


THIS DRAWING EMBODIES A CONFIDENTIAL PROPRIETARY DESIGN & ALL DESIGN, MANUFACTURING PRODUCTION, USE & SALE RIGHTS REGARDING SAME ARE EXPRESSLY RESERVED.

TABLE 6

	G GRIP									L LENGTH
	.062	.094	.125	.156	.187	.218	.250	.281	.312	
.3125-24 SIZE FIRST DASH NUMBER -5	-2-7	-3-7	-4-7	-5-7	-6-7	-7-7	-8-7	-9-7	-----	.437
	-2-8	-3-8	-4-8	-5-8	-6-8	-7-8	-8-8	-9-8	-10-8	.500
	-2-9	-3-9	-4-9	-5-9	-6-9	-7-9	-8-9	-9-9	-10-9	.562
	-2-10	-3-10	-4-10	-5-10	-6-10	-7-10	-8-10	-9-10	-10-10	.625
	-2-11	-3-11	-4-11	-5-11	-6-11	-7-11	-8-11	-9-11	-10-11	.687
	-2-12	-3-12	-4-12	-5-12	-6-12	-7-12	-8-12	-9-12	-10-12	.750
	-2-13	-3-13	-4-13	-5-13	-6-13	-7-13	-8-13	-9-13	-10-13	.812
	-2-14	-3-14	-4-14	-5-14	-6-14	-7-14	-8-14	-9-14	-10-14	.875
	-2-15	-3-15	-4-15	-5-15	-6-15	-7-15	-8-45	-9-15	-10-15	.937
	-2-16	-3-16	-4-16	-5-16	-6-16	-7-16	-8-16	-9-16	-10-16	1.000
	-2-17	-3-17	-4-17	-5-17	-6-17	-7-17	-8-17	-9-17	-10-17	1.062
	-2-18	-3-18	-4-18	-5-18	-6-18	-7-18	-8-18	-9-18	-10-18	1.125
	-2-19	-3-19	-4-19	-5-19	-6-19	-7-19	-8-19	-9-19	-10-19	1.187
	-2-20	-3-20	-4-20	-5-20	-6-20	-7-20	-8-20	-9-20	-10-20	1.250
	-2-21	-3-21	-4-21	-5-21	-6-21	-7-21	-8-21	-9-21	-10-21	1.312
	-2-22	-3-22	-4-22	-5-22	-6-22	-7-22	-8-22	-9-22	-10-22	1.375
	-2-23	-3-23	-4-23	-5-23	-6-23	-7-23	-8-23	-9-23	-10-23	1.437
	-2-24	-3-24	-4-24	-5-24	-6-24	-7-24	-8-24	-9-24	-10-24	1.500
	-2-25	-3-25	-4-25	-5-25	-6-25	-7-25	-8-25	-9-25	-10-25	1.562
	-2-26	-3-26	-4-26	-5-26	-6-26	-7-26	-8-26	-9-26	-10-26	1.625
-2-27	-3-27	-4-27	-5-27	-6-27	-7-27	-8-27	-9-27	-10-27	1.687	
-2-28	-3-28	-4-28	-5-28	-6-28	-7-28	-8-28	-9-28	-10-28	1.750	

TABLE 7

	G GRIP									L LENGTH
	.062	.094	.125	.156	.187	.218	.250	.281	.312	
.3750-24 SIZE FIRST DASH NUMBER -6	-2-7	-3-7	-4-7	-5-7	-6-7	-7-7	-8-7	-9-7	-----	.437
	-2-8	-3-8	-4-8	-5-8	-6-8	-7-8	-8-8	-9-8	-10-8	.500
	-2-9	-3-9	-4-9	-5-9	-6-9	-7-9	-8-9	-9-9	-10-9	.562
	-2-10	-3-10	-4-10	-5-10	-6-10	-7-10	-8-10	-9-10	-10-10	.625
	-2-11	-3-11	-4-11	-5-11	-6-11	-7-11	-8-11	-9-11	-10-11	.687
	-2-12	-3-12	-4-12	-5-12	-6-12	-7-12	-8-12	-9-12	-10-12	.750
	-2-13	-3-13	-4-13	-5-13	-6-13	-7-13	-8-13	-9-13	-10-13	.812
	-2-14	-3-14	-4-14	-5-14	-6-14	-7-14	-8-14	-9-14	-10-14	.875
	-2-15	-3-15	-4-15	-5-15	-6-15	-7-15	-8-45	-9-15	-10-15	.937
	-2-16	-3-16	-4-16	-5-16	-6-16	-7-16	-8-16	-9-16	-10-16	1.000
	-2-17	-3-17	-4-17	-5-17	-6-17	-7-17	-8-17	-9-17	-10-17	1.062
	-2-18	-3-18	-4-18	-5-18	-6-18	-7-18	-8-18	-9-18	-10-18	1.125
	-2-19	-3-19	-4-19	-5-19	-6-19	-7-19	-8-19	-9-19	-10-19	1.187
	-2-20	-3-20	-4-20	-5-20	-6-20	-7-20	-8-20	-9-20	-10-20	1.250
	-2-21	-3-21	-4-21	-5-21	-6-21	-7-21	-8-21	-9-21	-10-21	1.312
	-2-22	-3-22	-4-22	-5-22	-6-22	-7-22	-8-22	-9-22	-10-22	1.375
	-2-23	-3-23	-4-23	-5-23	-6-23	-7-23	-8-23	-9-23	-10-23	1.437
	-2-24	-3-24	-4-24	-5-24	-6-24	-7-24	-8-24	-9-24	-10-24	1.500
	-2-25	-3-25	-4-25	-5-25	-6-25	-7-25	-8-25	-9-25	-10-25	1.562
	-2-26	-3-26	-4-26	-5-26	-6-26	-7-26	-8-26	-9-26	-10-26	1.625
-2-27	-3-27	-4-27	-5-27	-6-27	-7-27	-8-27	-9-27	-10-27	1.687	
-2-28	-3-28	-4-28	-5-28	-6-28	-7-28	-8-28	-9-28	-10-28	1.750	

APPROVED DATE 18 MAR 93	CURRENT DESIGN ACTIVITY:  ARCONIC	TITLE: SCREW, CAPTIVE, HEX HEAD, CRES, 160 KSI	CURRENT DESIGN ACTIVITY: CAGE CODE: 29372
REV. LETTER AND DATE T 29 AUG 18	Fastening Systems and Rings	UNLESS OTHERWISE SPECIFIED DIMENSIONS ARE IN INCHES & ASME Y14.5M TOLERANCES:	SALES DRAWING NO.
DAF NUMBER DAF 117282	TRIDAIR PRODUCTS 3000 W. LOMITA BLVD. TORRANCE, CA. 90505		ANGLES DECIMALS

S43216