

Voi-Shan • Tridair • Scrawcorp

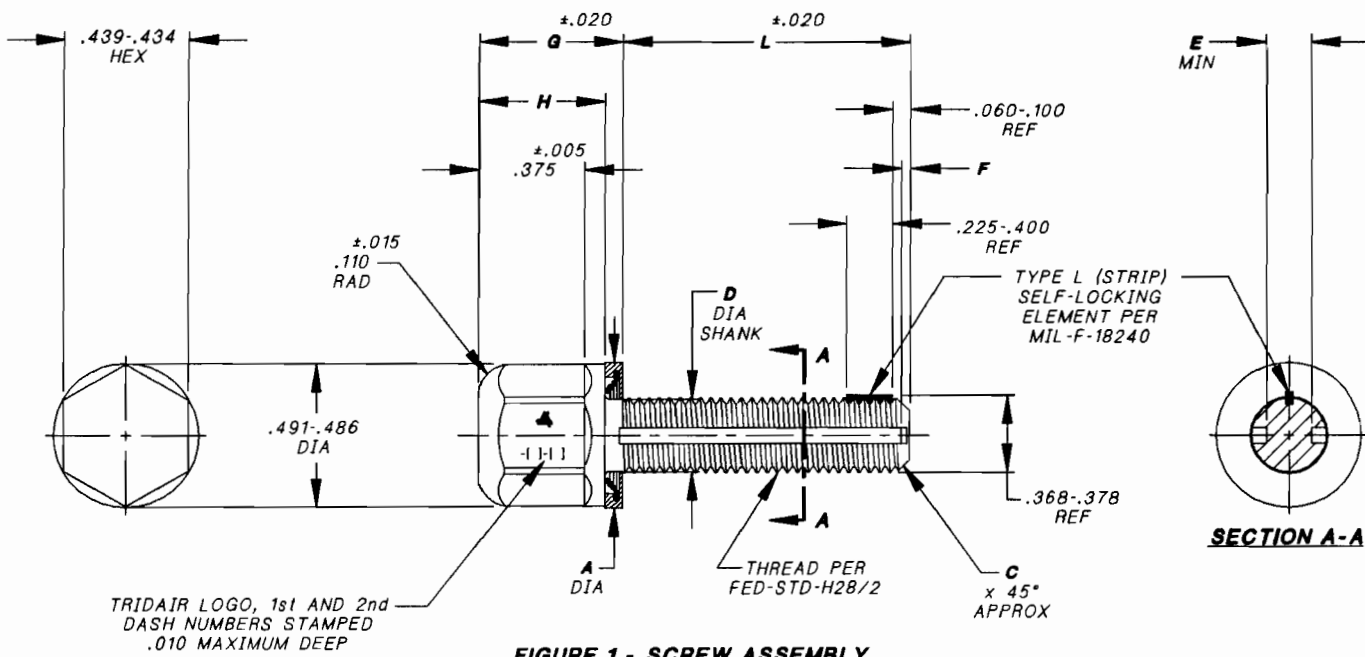


FIGURE 1 - SCREW ASSEMBLY

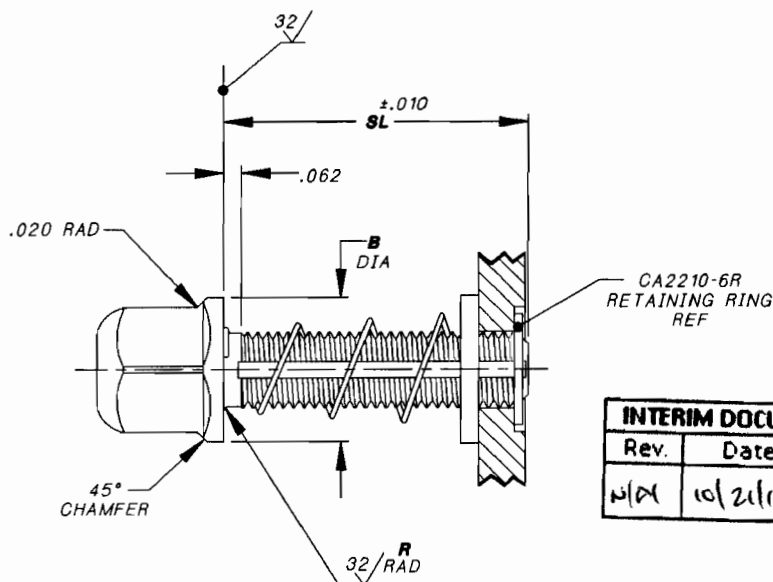


FIGURE 2 - INSTALLED AND RETRACTED <6>

INTERIM DOCUMENT REVISION		
Rev.	Date	DAF #
N/A	10/21/12	94301

TABLE 1

FIRST DASH NUMBER	THREAD SIZE UNF-3A	A DIA	B DIA	C	D DIA	E MIN	F	G	H	R RAD	ULTIMATE TENSILE STRENGTH MIN (CALCULATED)	ULTIMATE SHEAR STRENGTH MIN (CALCULATED)
-6	.375-24	.750	.630 .620	.040	.3745 .3740	.268	.050	.567	.505	.025 .015	10,700 LBS.	6,900 LBS.

PROJECT NUMBER: 97-132

SCANNED

APPROVED DATE

26 JUN 97

REV. LETTER AND DATE

~~20 JUN 97~~

DAF NUMBER

~~DAF 40402~~

Fairchild FAIRCHILD FASTENERS
ENGINEERING CENTER
3000 WEST LOMITA BOULEVARD
TORRANCE, CA 90505

CAPTIVE SCREW ASSEMBLIES,
SELF-RETRACTING, "CRIMPRING" TYPE,
EVA HEX HEAD, CRES, 160 KSI
LOCKING STRIP

CAGE CODE 29372

TRIDAIR PRODUCT

CA22065-6-()

SHEET 1 OF 2

Voi-Shan • Tridair • Screwcorp

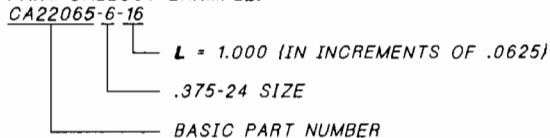
TABLE 2

SECOND DASH NUMBER	L	SL	SECOND DASH NUMBER	L	SL
-7	.437	.500	-18	1.125	1.187
-8	.500	.562	-19	1.187	1.250
-9	.562	.625	-20	1.250	1.312
-10	.625	.687	-21	1.312	1.375
-11	.687	.750	-22	1.375	1.437
-12	.750	.812	-23	1.437	1.500
-13	.812	.875	-24	1.500	1.562
-14	.875	.937	-25	1.562	1.625
-15	.937	1.000	-26	1.625	1.687
-16	1.000	1.062	-27	1.687	1.750
-17	1.062	1.125	-28	1.750	1.812

NOTES, UNLESS OTHERWISE SPECIFIED:

1. MATERIAL:
 - 1.1 SCREW: - A286 CRES PER AMS5731, AMS5737.
 - 1.2 HOUSING: - 300 SERIES CRES PER AMS5640, ASTM-A555, ASTM-A581.
 - 1.3 SPRING: - 302 CRES PER ASTM-A313.
2. HEAT TREAT: SCREW ONLY - 160,000 PSI MINIMUM TENSILE.
3. FINISH: ALL COMPONENTS PASSIVATED PER ASTM A 967.
4. PANEL PREPARATION: REFER TO DRAWING NUMBER CAL-STD-0260. EXCEPT THRU HOLE DIAMETER SHALL BE .378 MINIMUM.
5. REFER TO DRAWING NUMBER CA2210T-() FOR INSTALLATION PROCEDURE AND REQUIRED TOOL.
- <6> ASSEMBLIES WITH L LENGTHS OVER 1.000 MAY NOT FULLY SELF-RETRACT.

7. PART CALLOUT EXAMPLE:



9. TOLERANCES, UNLESS OTHERWISE SPECIFIED: DECIMALS .XX ±.02, .XXX ±.010, ANGLES ±2°, SURFACE FINISH 125 MICROINCHES Ra.

INTERIM DOCUMENT REVISION		
Rev.	Date	DAF #
W/O	10/21/10	94361

PROJECT NUMBER: 97-132

APPROVED DATE 26 JUN 97	FAIRCHILD FASTENERS ENGINEERING CENTER 3000 WEST LOMITA BOULEVARD TORRANCE, CA 90505	CAGE CODE 29372 TRIDAIR PRODUCT
REV. LETTER AND DATE 20 JUN 97		CAPTIVE SCREW ASSEMBLIES, SELF-RETRACTING, "CRIMPRING" TYPE, EVA HEX HEAD, CRES, 160 KSI LOCKING STRIP
DAF NUMBER DAF 40402		SHEET 2 OF 2