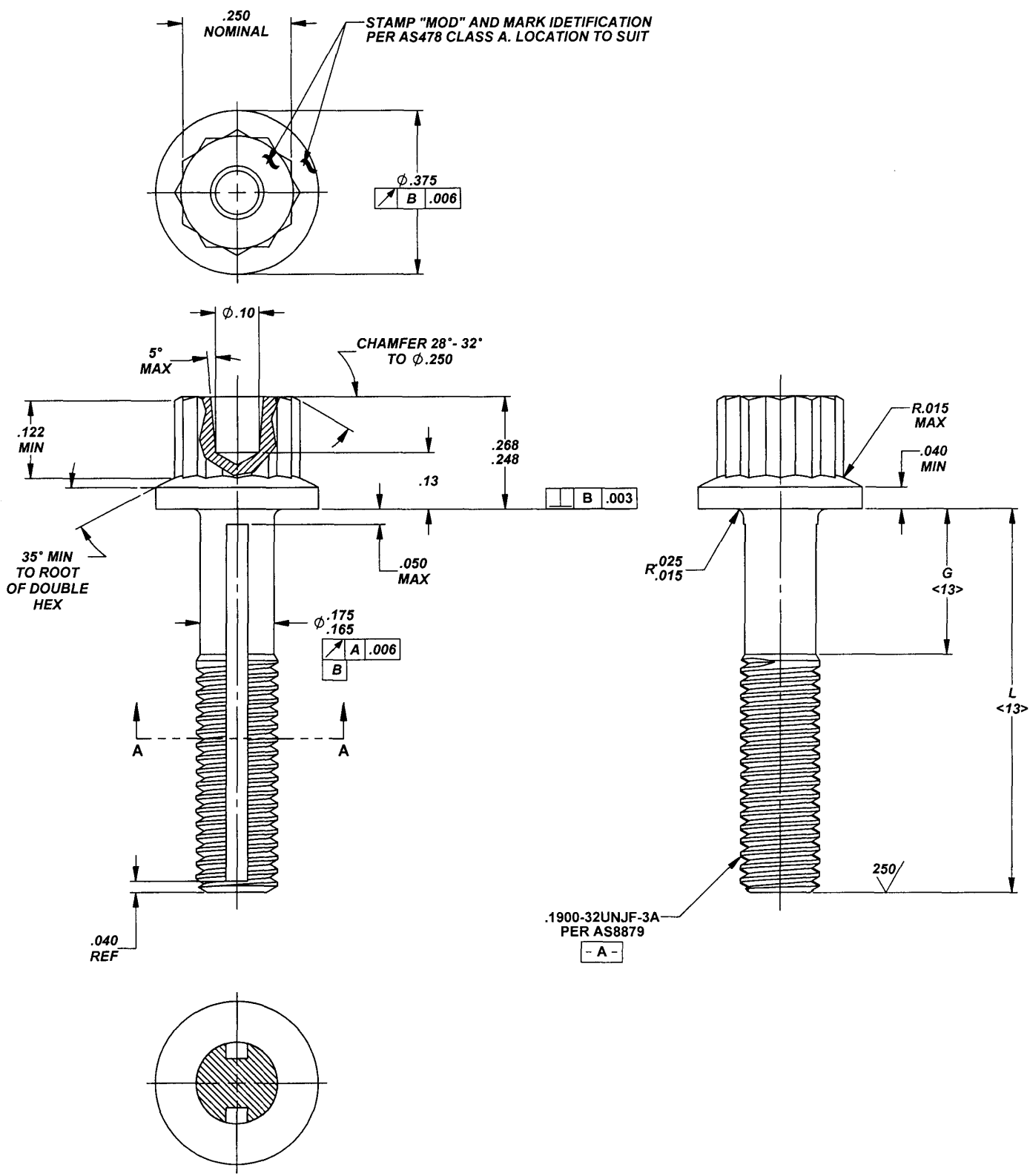


MANUFACTURE OF THE PROPRIETARY PARTS SHOWN HERE WITHOUT WRITTEN CONSENT IS ABSOLUTELY PROHIBITED
 THIS DRAWING EMBODIES A CONFIDENTIAL PROPRIETARY DESIGN & ALL DESIGN, MANUFACTURING PRODUCTION, USE & SALE RIGHTS REGARDING SAME ARE EXPRESSLY RESERVED.



SECTION A-A

INTERIM DOCUMENT REVISION		
Rev.	Date	DAF#
C1	10/8/2018	117431

PROJECT NUMBER: 97-059 AND 97-059A

S44062	APPROVED DATE 8 JAN 97	CURRENT DESIGN ACTIVITY: ARCONIC Arconic Fastening Systems TRIDAIR PRODUCTS 300 W. LOMITA BLVD. TORRANCE, CA. 90505	TITLE: CAPTIVE SCREW, 12 POINTS P.D. SHANK, .1900-32 SIZE MODIFIED AS3236	CAGE CODE: 29372
	REV. LETTER AND DATE C 20 MAR 13		UNLESS OTHERWISE SPECIFIED DIMENSIONS ARE IN INCHES & ASME Y14.5M TOLERANCES:	SALES DRAWING NO.
	DAF NUMBER DAF 111058		ANGLES = ±3° DECIMALS .XX = ±.02 .XXX = ±.010	CA22059 SHEET 1 OF 3

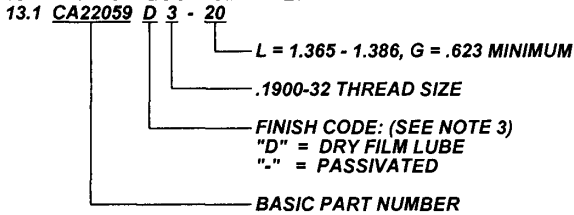
MANUFACTURE OF THE PROPRIETARY PARTS SHOWN HERE WITHOUT WRITTEN CONSENT IS ABSOLUTELY PROHIBITED

THIS DRAWING EMBODIES A CONFIDENTIAL, PROPRIETARY DESIGN & ALL DESIGN, MANUFACTURING PRODUCTION, USE & SALE RIGHTS REGARDING SAME ARE EXPRESSLY RESERVED.

NOTES; UNLESS OTHERWISE SPECIFIED:

1. **MATERIAL:**
 - 1.1 CORROSION AND HEAT RESISTANT STEEL PER AMS5662.
2. **HEAT TREAT:**
 - 2.1 36 HRc MINIMUM.
3. **FINISH:**
 - 3.1 PASSIVATED PER AMS2700, DESIGNATED BY ONE DASH "-".
 - 3.2 DRY FILM LUBE PER MIL-PRF-46010, DESIGNATED BY LETTER "D". (DIMENSIONS APPLY BEFORE LUBE)
4. AS3236-() ARE MODIFIED BY ADDING LONGITUDINAL SLOTS AND "MOD" TO THE HEAD MARKING. TENSILE STRENGTH IS ADJUSTED USING REDUCED CROSS SECTIONAL AREAS RESULTING FROM THE SLOTTED MODIFICATION. SEE AS3236-() SPECIFICATION FOR DATA NOT SHOWN HEREIN.
5. THESE SCREWS ARE DESIGNED TO BE USED WITH CA2210-10R RETAINING RING TO CAPTIVATE TO PANEL.
6. PANEL PREPARATION PER ALCOA'S CAL-STD-0260.
7. INSTALLATION PREOCEDURE PER ALCOA'S SALES DRAWING NUMBER CA2210T-().
8. SURFACE FINISH 125 MICROINCHES UNLESS OTHERWISE SPECIFIED.
9. TOLERANCES, UNLESS OTHERWISE SPECIFIED: .xx ±.02, .xxx ±.010, ANGLES ±2°.
10. TENSILE AND SHEAR STRENGTHS ARE CALCULATED WITH A .15 SAFTY FACTOR.
11. MINIMUM ULTIMATE TENSILE STRENGTH = 2,393 LBS.
12. MINIMUM ULTIMATE SINGLE SHEAR STRENGTH = 1,525 LBS.

13. **PART CALLOUT EXAMPLE:**



INTERIM DOCUMENT REVISION		
Rev.	Date	DAF#
C	10/8/2018	117431

<p>APPROVED DATE 8 JAN 97</p> <hr/> <p>REV. LETTER AND DATE C 20 MAR 15</p> <hr/> <p>DAF NUMBER DAF 111056</p>	<p>CURRENT DESIGN ACTIVITY:</p> <p>ARCONIC Arconic Fastening Systems</p> <hr/> <p>TRIDAIR PRODUCTS 300 W. LOMITA BLVD. TORRANCE, CA. 90505</p>	<p>TITLE: CAPTIVE SCREW, 12 POINTS P.D. SHANK, .1900-32 SIZE MODIFIED AS3236</p> <hr/> <p>UNLESS OTHERWISE SPECIFIED DIMENSIONS ARE IN INCHES & ASME Y14.5M TOLERANCES:</p> <table style="width: 100%; border: none;"> <tr> <td>ANGLES</td> <td>= ±3°</td> </tr> <tr> <td>DECIMALS</td> <td>.XX = ±.02</td> </tr> <tr> <td></td> <td>.XXX = ±.010</td> </tr> </table>	ANGLES	= ±3°	DECIMALS	.XX = ±.02		.XXX = ±.010	<p>CAGE CODE: 29372</p> <hr/> <p>SALES DRAWING NO.</p> <p style="font-size: 1.2em; font-weight: bold;">CA22059</p> <hr/> <p>SHEET 2 OF 3</p>
ANGLES	= ±3°								
DECIMALS	.XX = ±.02								
	.XXX = ±.010								

S-44062

MANUFACTURE OF THE PROPRIETARY PARTS SHOWN HERE WITHOUT WRITTEN CONSENT IS ABSOLUTELY PROHIBITED

THIS DRAWING EMBODIES A CONFIDENTIAL, PROPRIETARY DESIGN & ALL DESIGN, MANUFACTURING PRODUCTION, USE & SALE RIGHTS REGARDING SAME ARE EXPRESSLY RESERVED.


TABLE 1

- ()	L	G MIN
- 03	.322 .302	.025
- 04	.385 .365	.025
- 05	.448 .428	.025
- 06	.510 .490	.025
- 07	.572 .552	.025
- 08	.635 .615	.025
- 09	.698 .678	.025
- 10	.760 .740	.025
- 11	.822 .802	.060
- 12	.885 .865	.123
- 13	.948 .928	.186
- 14	1.010 .990	.248
- 15	1.072 1.052	.310
- 16	1.135 1.115	.373
- 17	1.198 1.178	.436
- 18	1.260 1.240	.498
- 19	1.322 1.302	.560
- 20	1.385 1.365	.623
- 21	1.448 1.428	.686
- 22	1.510 1.490	.748
- 23	1.572 1.552	.810
- 24	1.635 1.615	.873

TABLE 1 Con't

- ()	L	G MIN
- 25	1.698 1.678	.936
- 26	1.760 1.740	.998
- 27	1.822 1.802	1.060
- 28	1.885 1.865	1.123
- 29	1.948 1.928	1.186
- 30	2.010 1.990	1.248
- 31	2.135 2.115	1.373
- 32	2.260 2.240	1.498
- 33	2.385 2.365	1.623
- 34	2.510 2.490	1.748
- 35	2.635 2.615	1.873
- 36	2.760 2.740	1.998
- 37	2.885 2.865	2.123
- 38	3.010 2.990	2.248
- 39	3.135 3.115	2.373
- 40	3.260 3.240	2.498
- 41	3.385 3.365	2.623
- 42	3.510 3.490	2.748
- 43	3.635 3.615	2.873
- 44	3.760 3.740	2.998
- 45	3.885 3.865	3.123
----	----	----

INTERIM DOCUMENT REVISION		
Rev.	Date	DAF#
C1	10/8/2018	117431

APPROVED DATE 8 JAN 97	CURRENT DESIGN ACTIVITY:  ARCONIC Arconic Fastening Systems	TITLE: CAPTIVE SCREW, 12 POINTS P.D. SHANK, .1900-32 SIZE MODIFIED AS3236	CAGE CODE: 29372 SALES DRAWING NO.
REV. LETTER AND DATE C 20 MAR 15	TRIDAIR PRODUCTS 300 W. LOMITA BLVD. TORRANCE, CA. 90505	UNLESS OTHERWISE SPECIFIED DIMENSIONS ARE IN INCHES & ASME Y14.5M TOLERANCES:	CA22059 SHEET 3 OF 3
DAF NUMBER DAF 111056		ANGLES = ±3° DECIMALS .XX = ±.02 .XXX = ±.010	

S44062