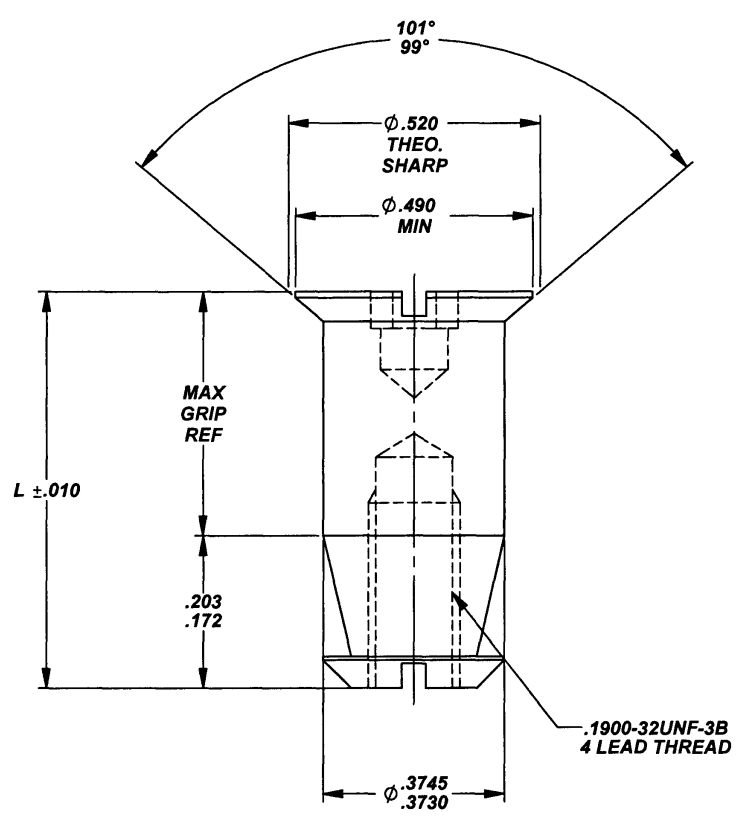
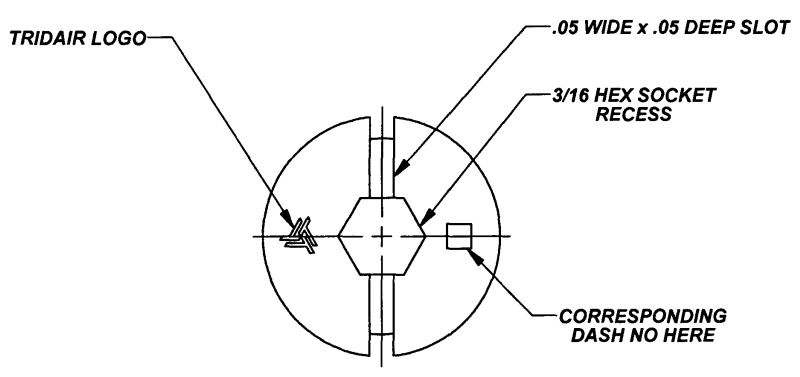


MANUFACTURE OF THE PROPRIETARY PARTS SHOWN HERE WITHOUT WRITTEN CONSENT OF ALCOA FASTENING SYSTEMS IS ABSOLUTELY PROHIBITED.

THIS DRAWING EMBODIES A CONFIDENTIAL, PROPRIETARY DESIGN & ALL DESIGN, MANUFACTURING PRODUCTION, USE & SALE RIGHTS REGARDING SAME ARE EXPRESSLY RESERVED.

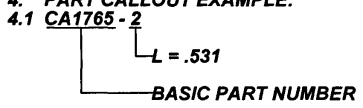
TABLE 1

DASH NUMBER	L	GRIP RANGE		WEIGHT LBS./EA.
		MIN	MAX	
-1	.437	.180	.250	1.24
-2	.531	.251	.343	1.38
-3	.625	.344	.437	1.52
-4	.718	.438	.531	1.66
-5	.812	.532	.625	1.95
-6	.906	.626	.718	2.35
-7	1.000	.719	.812	2.75
-8	1.093	.813	.906	3.15
-9	1.187	.907	1.000	3.55
-10	1.281	1.001	1.093	3.95
-11	1.375	1.094	1.187	4.35
-12	1.468	1.188	1.281	4.75
-13	1.562	1.282	1.375	5.15



NOTES; UNLESS OTHERWISE SPECIFIED:

1. MATERIAL: 300 SERIES CRES PER ASTM-A-581/ASTM-A-582 AND AMS5640.
2. FINISH: PASSIVATED PER AMS2700.
3. THIS STUD NUT TO BE USED WITH CA1711 RECEPTACLE AND CA1727 OR CA1727-2 RETAINING RING.
4. PART CALLOUT EXAMPLE:



<p>APPROVED DATE 21 DEC 66</p> <p>REV. LETTER AND DATE C 23 JUN 14</p> <p>DAF NUMBER DAF 108240</p>	<p>CURRENT DESIGN ACTIVITY:</p> <p>Alcoa Fastening Systems & Rings</p> <p>ALCOA</p> <p>TRIDAIR PRODUCTS 3000 W. LOMITA BLVD. TORRANCE, CA. 90505</p>	<p>TITLE:</p> <p style="text-align: center;">STUD BOLT - 100° C'SINK HEX AND SLOTTED RECESS</p> <p>UNLESS OTHERWISE SPECIFIED DIMENSIONS ARE IN INCHES & ASME Y14.5M TOLERANCES:</p> <p>ANGLES = ±1° DECIMALS .XX = ±.01 .XXX = ±.005</p>	<p>CURRENT DESIGN ACTIVITY:</p> <p>CAGE CODE: 29372</p> <p>SALES DRAWING NO.</p> <p style="font-size: 24pt; font-weight: bold;">CA1765-()</p> <p>SHEET 1 OF 1</p>
---	---	--	---

S45450