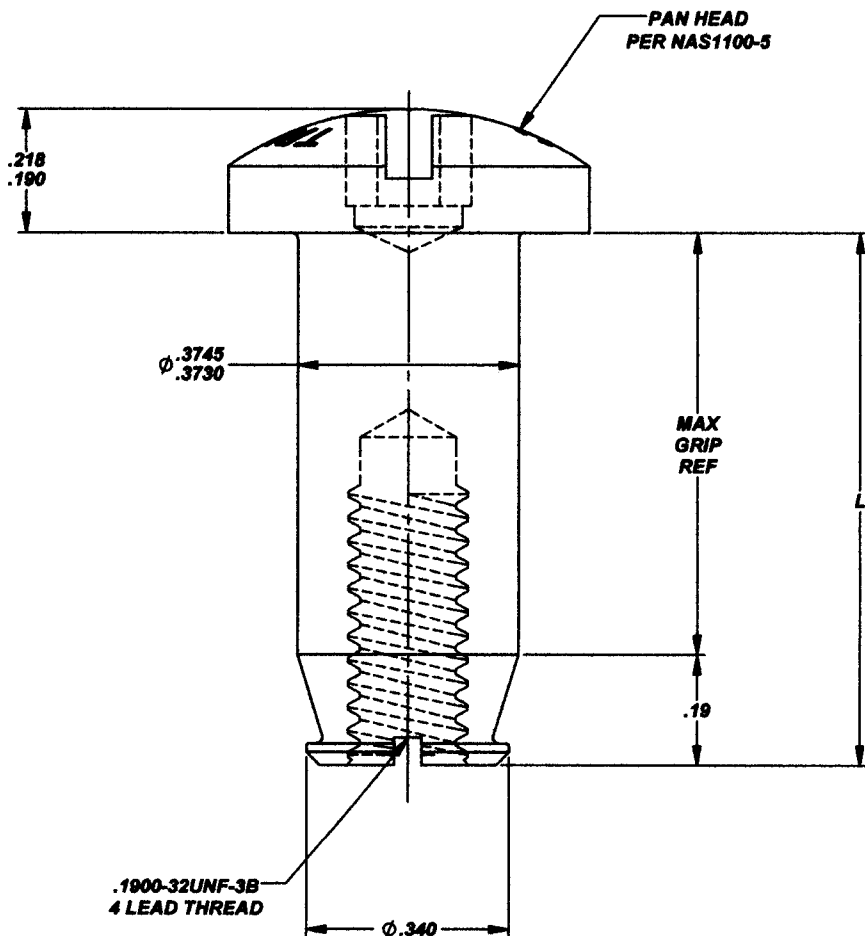
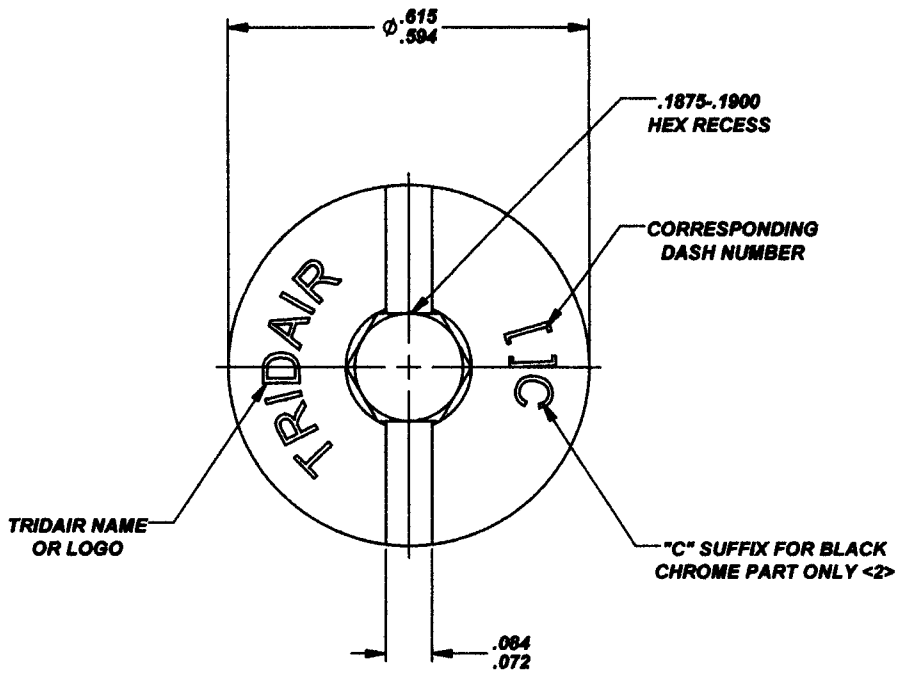


MANUFACTURE OF THE PROPRIETARY PARTS SHOWN HERE WITHOUT WRITTEN CONSENT OF ARCONIC FASTENING SYSTEMS AND RINGS IS ABSOLUTELY PROHIBITED.

THIS DRAWING EMBODIES A CONFIDENTIAL PROPRIETARY DESIGN & ALL DESIGN, MANUFACTURING PRODUCTION, USE & SALE RIGHTS REGARDING SAME ARE EXPRESSLY RESERVED.



APPROVED DATE 6 DEC 87	REV. LETTER AND DATE J 10 AUG 17	DAF NUMBER DAF 115861
---------------------------	-------------------------------------	--------------------------

CURRENT DESIGN ACTIVITY:



ARCONIC
Fastening Systems and Rings

TRDAIR PRODUCTS
3000 W. LOMITA BLVD.
TORRANCE, CA. 90605

TITLE:

**STUD NUT, PAN HEAD
HEX RECESS, SLOTTED, CRES**

UNLESS OTHERWISE SPECIFIED
DIMENSIONS ARE IN INCHES &
ASME Y14.5M TOLERANCES:

ANGLES = $\pm 3^\circ$
DECIMALS .XX = $\pm .02$
.XXX = $\pm .010$

CURRENT DESIGN ACTIVITY:	CAGE CODE: 29372
	SALES DRAWING NO.
	CA1762-()
	SHEET 1 OF 2

S41074

Camloc . Delron . Deutsch . Huck . K-Fast . Kaynar . Microdot . RAM . Rosan . Screwcorp . Tridair . Vol - Shan

MANUFACTURE OF THE PROPRIETARY PARTS SHOWN HERE WITHOUT WRITTEN CONSENT OF ARCONIC FASTENING SYSTEMS AND RINGS IS ABSOLUTELY PROHIBITED.


THIS DRAWING EMBODIES A CONFIDENTIAL, PROPRIETARY DESIGN & ALL DESIGN, MANUFACTURING PRODUCTION, USE & SALE RIGHTS REGARDING SAME ARE EXPRESSLY RESERVED.

TABLE 1

DASH NUMBER	L	GRIP RANGE		WEIGHT LBS/100 APPROX.
		MIN	MAX	
- 0	.343	.093	.156	1.80
- 1	.437	.157	.250	2.10
- 2	.531	.251	.343	2.37
- 3	.625	.344	.437	2.60
- 4	.718	.438	.531	2.91
- 5	.812	.532	.625	3.15
- 6	.906	.626	.718	3.39
- 7	1.000	.719	.812	3.63
- 8	1.093	.813	.906	3.77
- 9	1.187	.907	1.000	3.91

NOTES; UNLESS OTHERWISE SPECIFIED:

- MATERIAL: 300 SERIES CRES PER ASTM A581/582/320 OR 5640/5738.
- OPTIONAL FINISHES:
 - CA1762-(): DENOTES PASSIVATION PER AMS2700.
 - CA1762-()B: DENOTES BLACK OXIDE PER MIL-DTL-13924.
 - CA1762-()C: DENOTES BLACK CHROME PER MIL-DTL-14538.
(NOTE: COVERAGE MAY BE INCOMPLETE IN RECESS AND INTERNAL THREADS).
- THIS STUD NUT TO BE USED WITH CA1711 RECEPTACLE AND CA1727 OR CA1727-2 RETAINING RING.
- CONSULT AFSR ENGINEERING DEPARTMENT FOR AVAILABILITY OF OPTIONAL MATERIALS, FINISHES AND SIZES.

APPROVED DATE 6 DEC 67	CURRENT DESIGN ACTIVITY:  ARCONIC	TITLE: STUD NUT, PAN HEAD HEX RECESS, SLOTTED, CRES	CURRENT DESIGN ACTIVITY: CAGE CODE: 29372
REV. LETTER AND DATE J 10 AUG 17	Fastening Systems and Rings		SALES DRAWING NO.
DAF NUMBER DAF 115861	TRDAIR PRODUCTS 3000 W. LOMITA BLVD. TORRANCE, CA. 90505	UNLESS OTHERWISE SPECIFIED DIMENSIONS ARE IN INCHES & ASME Y14.5M TOLERANCES:	CA1762-() SHEET 2 OF 2
		ANGLES DECIMALS	.XX = ±.02 .XXX = ±.010

S41074