

Camloc . Delron . Deutsch . Huck . K-Fast . Kaynar . Microdot . RAM . Rosan . Screwcorp . Tridair . Voi - Shan

MANUFACTURE OF THE PROPRIETARY PARTS SHOWN HERE WITHOUT WRITTEN CONSENT IS ABSOLUTELY PROHIBITED

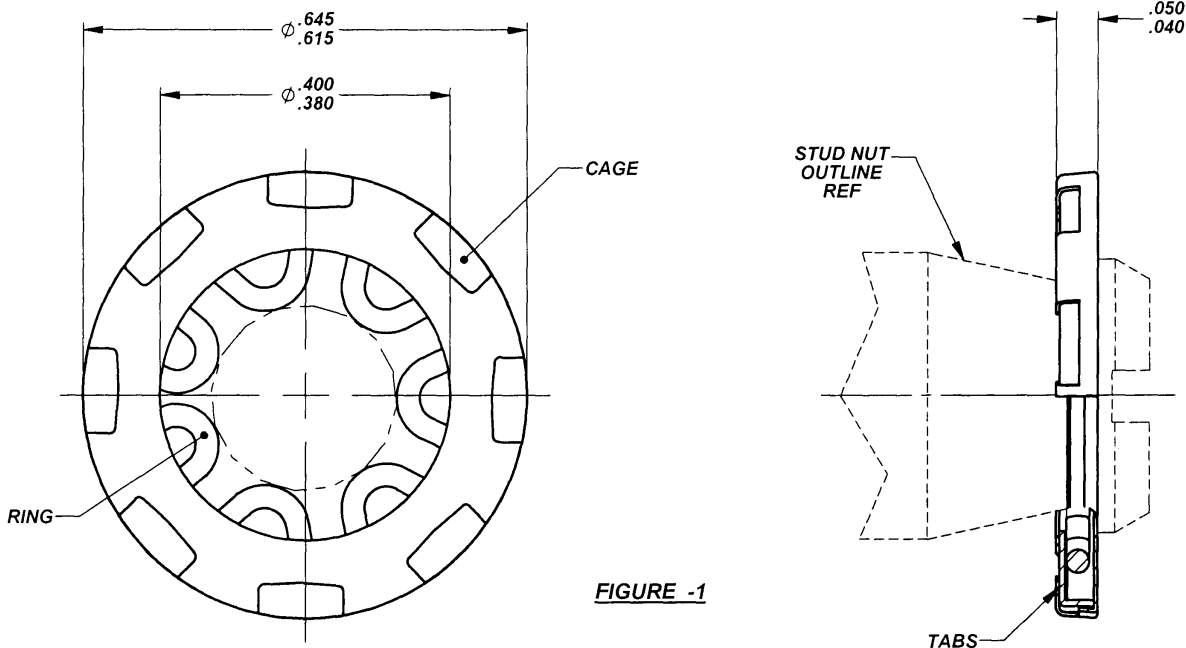


FIGURE -1

NOTES; UNLESS OTHERWISE SPECIFIED:

1. MATERIAL:
 - 1.1 CAGE: 301 CRES PER MIL-S-5059, ASTA-A-177, AMS5517 OR AMS5901.
 - 1.2 RING: 17-7PH CRES PER AMS5673 AND /OR AMS5678.
2. HEAT TREAT:
 - 2.1 CAGE: NONE.
 - 2.2 RING: CONDITION CH900 PER AMS2759.
3. FINISH:
 - 3.1 CAGE: PASSIVATED PER AMS2700.
 - 3.2 RING: PASSIVATED PER AMS2700.
4. TO BE USED WITH CA1700 AND CA17000 SERIES STUD NUTS.
5. RETAINING RINGS ARE SOLID MOUNTED ON AN INSTALLATION TOOL AS SHOWN IN FIGURE 2 TO INSURE PROPER INSTALLATION -50 RINGS PER TOOL.
6. PANEL PREPARATION:
 - 6.1 ϕ .656 MINIMUM C'BORE x .055-.062 DEPTH.
 - 6.2 C'BORE LOCATION OPTIONAL: UNDERSIDE OF OUTER PANEL PREFERRED.
7. INSTALLATION PROCEDURES:
 - 7.1 INSERT PILOT POINT COMPLETELY INTO STUD NUT THREAD.
 - 7.2 SLIDE CAGED RETAINING RING ONTO STUD NUT WITH "RIM" FACING THE STUD NUT HEAD AS SHOWN IN FIGURE - 2.
8. WEIGHT: .094 LBS./100 APPROX.
9. CONSULT ALCOA FASTENING SYSTEMS ENGINEERING FOR AVAILABILITY OF OPTIONAL MATERIALS, FINISHES AND SIZES.

THIS DRAWING EMBODIES A CONFIDENTIAL, PROPRIETARY DESIGN & ALL DESIGN, MANUFACTURING PRODUCTION, USE & SALE RIGHTS REGARDING SAME ARE EXPRESSLY RESERVED.

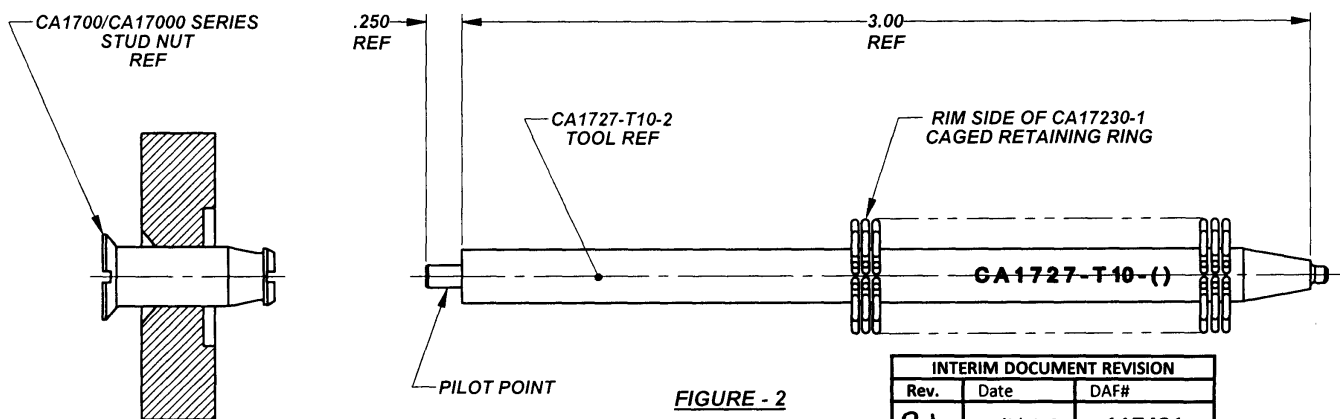


FIGURE -2

INTERIM DOCUMENT REVISION		
Rev.	Date	DAF#
B1	10/8/2018	117431

APPROVED DATE 16 JUL 92	CURRENT DESIGN ACTIVITY: ARCONIC Arconic Fastening Systems TRIDAIR PRODUCTS 3000 W. LOMITA BLVD. TORRANCE, CA 90505	TITLE: <h3 style="text-align: center;">RETAINING RING CAGED TYPE</h3>	CURRENT DESIGN ACTIVITY: CAGE CODE: 29372 SALES DRAWING NO. <h2 style="text-align: center;">CA17230</h2>
REV. LETTER AND DATE B 11 OCT 11	DAF NUMBER DAF 00571 11670	UNLESS OTHERWISE SPECIFIED DIMENSIONS ARE IN INCHES & ASME Y14.5M TOLERANCES:	ANGLES = ±3° DECIMALS .XX = ±.02 .XXX = ±.010
S42917			SHEET 1 OF 1