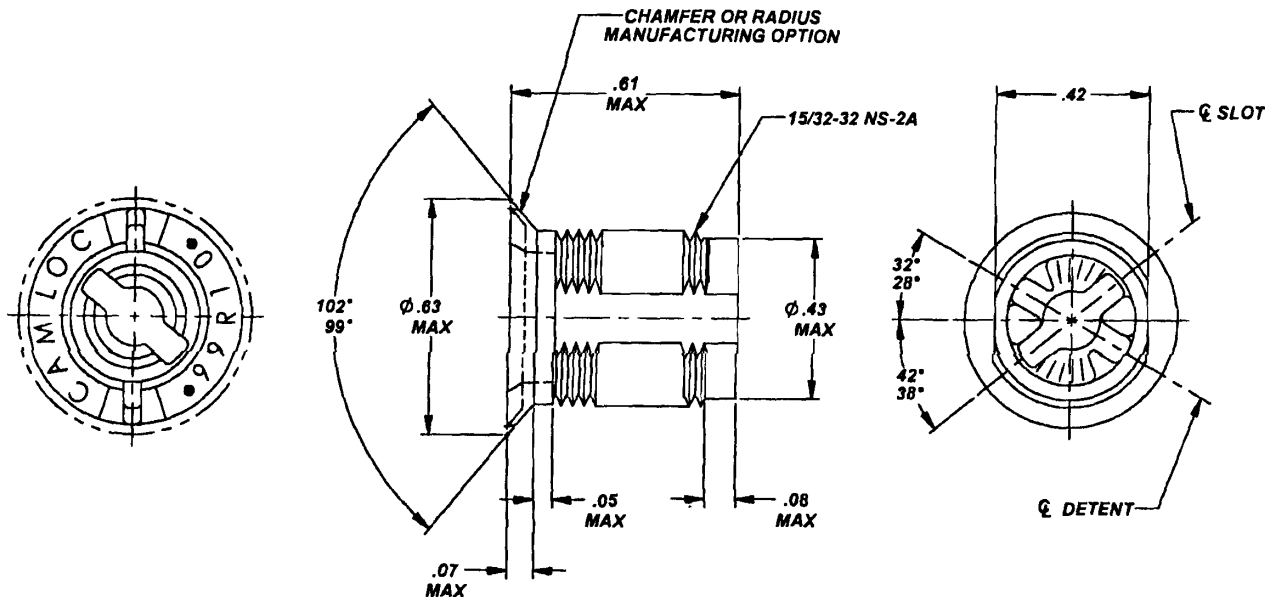


Camloc . Delron . Deutsch . Huck . K-Fast . Kaynar . Microdot . RAM . Rosan . Screwcorp . Tridair . Vol - Shan

MANUFACTURE OF THE PROPRIETARY PARTS SHOWN HERE WITHOUT WRITTEN CONSENT IS ABSOLUTELY PROHIBITED


THIS DRAWING EMBODIES A CONFIDENTIAL, PROPRIETARY DESIGN & ALL DESIGN, MANUFACTURING PRODUCTION USE & SALE RIGHTS REGARDING SAME ARE EXPRESSLY RESERVED



**TABLE 1**

PART NUMBER	MATERIAL	FINISH	IDENTIFICATION
99R10-01A1	ZINC BASE ALLOY DIE CASTING PER ASTM B86	ZINC PLATE PER ASTM B633	99F
99R10-01B1		ZINC PLATE PER ASTM B633, CLASS 5, TYPE II SUPPLEMENTARY BLUE CHROMATE	
99R10-01C1		SILVER PLATE PER AMS2412	
99R10-02A1		ZINC PLATE PER ASTM B633	

INTERIM DOCUMENT REVISION		
Rev.	Date	DAF#
F1	10/8/2018	117431

APPROVED DATE 16 JUL 78	 <b>ARCONIC</b> Arconic Fastening Systems <b>CAMLOC PRODUCTS</b> 3012 W. LOMITA BLVD. TORRANCE, CA 90503-5103	TITLE: <b>RECEPTACLE - CAST THREAD</b>	CURRENT DESIGN ACTIVITY: <b>7 1 2 8 6</b>	
REV. LETTER AND DATE <del>F</del> 18 DEC 14		UNLESS OTHERWISE SPECIFIED DIMENSIONS ARE IN INCHES & ASME Y14.5M TOLERANCES:	ANGLES = ± 1° FRACTIONS = ± 1/32 DECIMALS .XX = ± .02 .XXX = ± .010	SALES DRAWING NO.
DAF NUMBER <del>DAF 110312</del>				<b>99R10</b> SHEET 1 OF 1