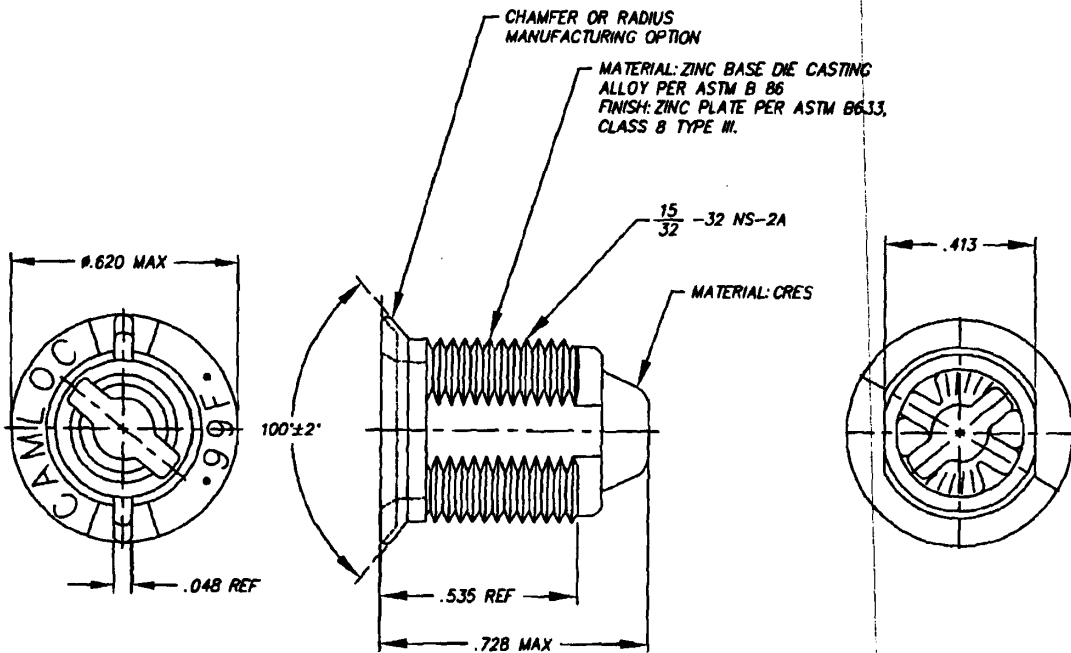


Comloc . Deiron . Deutsch . Huck . K-Fast . Kaynar . Microdot . RAM . Roson . Screwcorp . Tridair . Voi-Shan

MANUFACTURE OF THE PROPRIETARY PARTS SHOWN HERE WITHOUT WRITTEN CONSENT IS ABSOLUTELY PROHIBITED

THIS DRAWING EMBODIES A CONFIDENTIAL, PROPRIETARY DESIGN & ALL DESIGN, MANUFACTURING PRODUCTION, USE & SALE RIGHTS REGARDING SAME ARE EXPRESSLY RESERVED.

TABLE I	
PART NO.	DESCRIPTION
99E10-01	AS SHOWN



INTERIM DOCUMENT REVISION		
Rev.	Date	DAF#
B1	10/8/2018	117431

APPROVED DATE 22 NOV 83	CURRENT DESIGN ACTIVITY: ARCONIC Arconic Fastening Systems	TITLE: RECEPTACLE- THREADED, ENCAPSULATED	CURRENT DESIGN ACTIVITY: CAGE CODE: 71286
REV. LETTER AND DATE B 11 FEB 09	CAMLLOC PRODUCTS 3012 WEST LOMITA BLVD. TORRANCE, CA 90505	UNLESS OTHERWISE SPECIFIED DIMENSIONS ARE IN INCHES & ASME Y14.5M TOLERANCES:	SALES DRAWING NO. 99E10
DAF NUMBER DAF 86942		ANGLES = ± 1° FRACTIONS = ± 1/32 DECIMALS .XX = ± .02 .XXX = ± .010	SHEET 1 OF 1