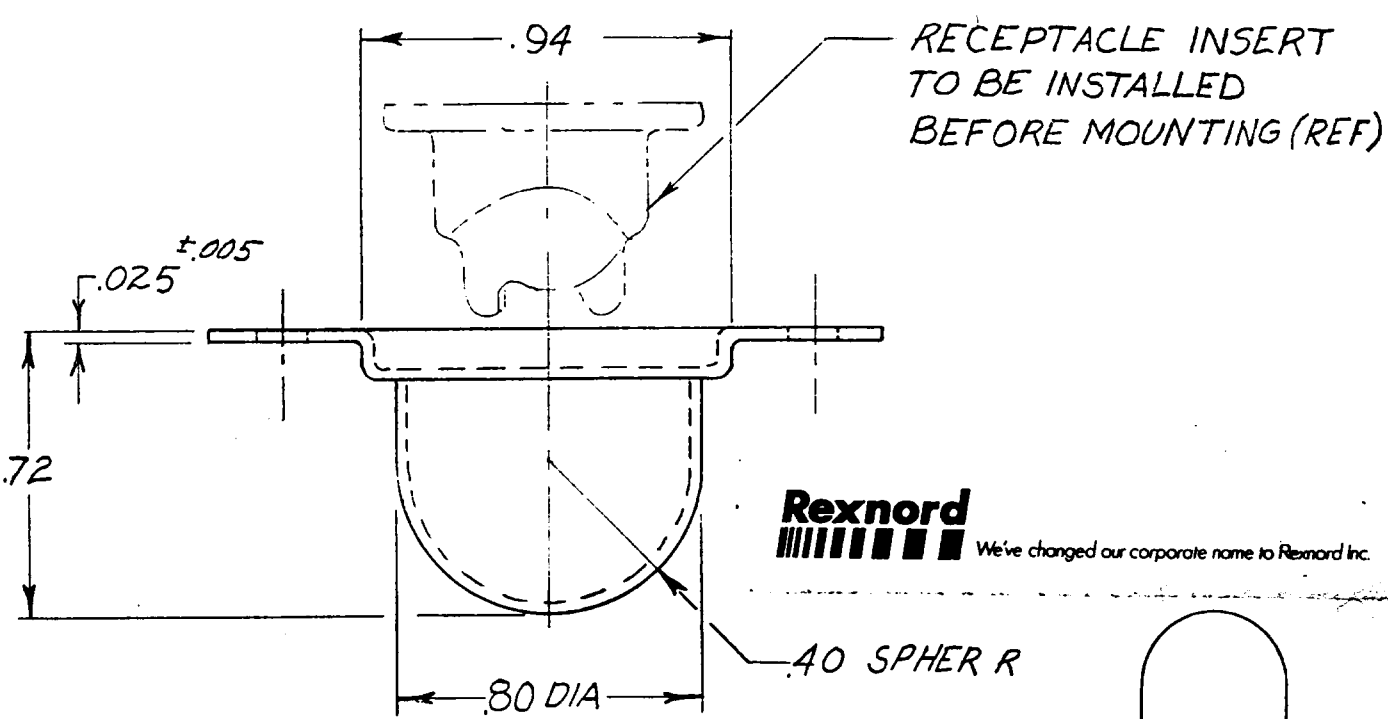
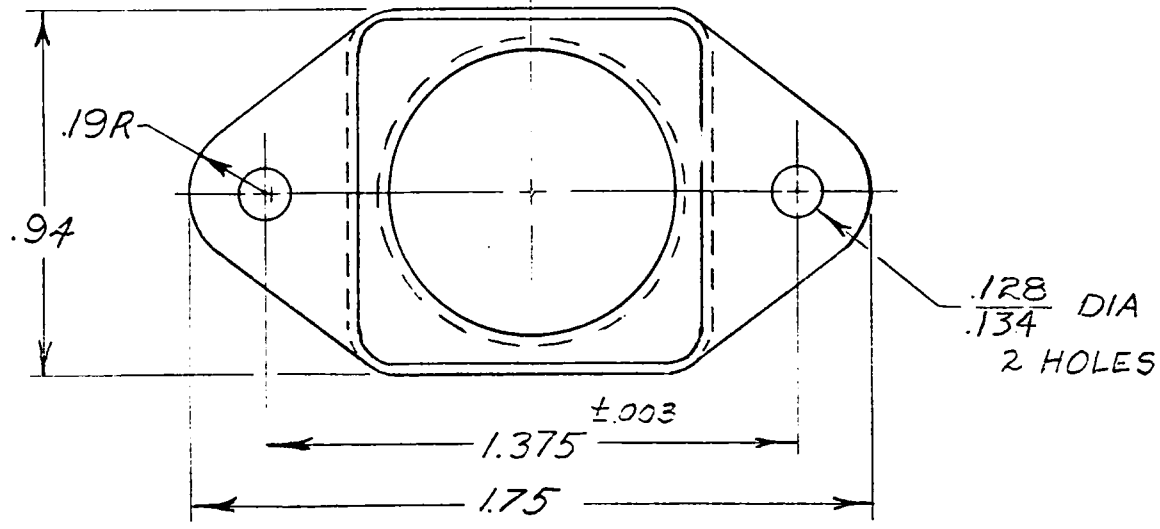
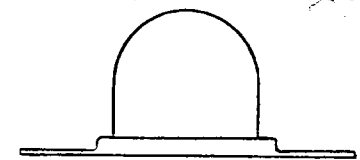


REV. DRAWING NO. 707 R

STOCK	REV.	CHANGE	BY	DATE



Rexnord
We've changed our corporate name to Rexnord Inc.



1. FOR SHEET PREPARATION SEE CAMLOC CATALOG ACTUAL SIZE

NOTE:

THIS DOCUMENT IS PROTECTED BY COMMON LAW COPYRIGHT, IS RECEIVED IN CONFIDENCE AND SHALL NOT BE REPRODUCED, USED OR DISSEMINATED IN WHOLE OR IN PART WITHOUT WRITTEN PERMISSION OF CAMLOC FASTENER CORP.

CAMLOC FASTENER CORPORATION
PARAMUS, NEW JERSEY

FINISH CADMIUM PLATE QQ-P-416 TYPE II CLASS 2	SCALE 2:1 & NOTED	WEIGHT 1.70#/100	TITLE CAGE-1.375" RECEPTACLE, FLOATING, SEALED
HEAT TREATMENT NONE	DR. ANDERSON	8-10-54	MODEL OR SERIES 4002
MATERIAL LOW CARBON STEEL	CHK. RASKA	VS 3-8-54	DRAWING NO. 707 R
TOLERANCES UNLESS OTHERWISE SPECIFIED: 3 PLACE DEC. ±.010 ANG. ± 1° 2 PLACE +.02	ENGR. APP. H.W.F.	12-28-54	REV.