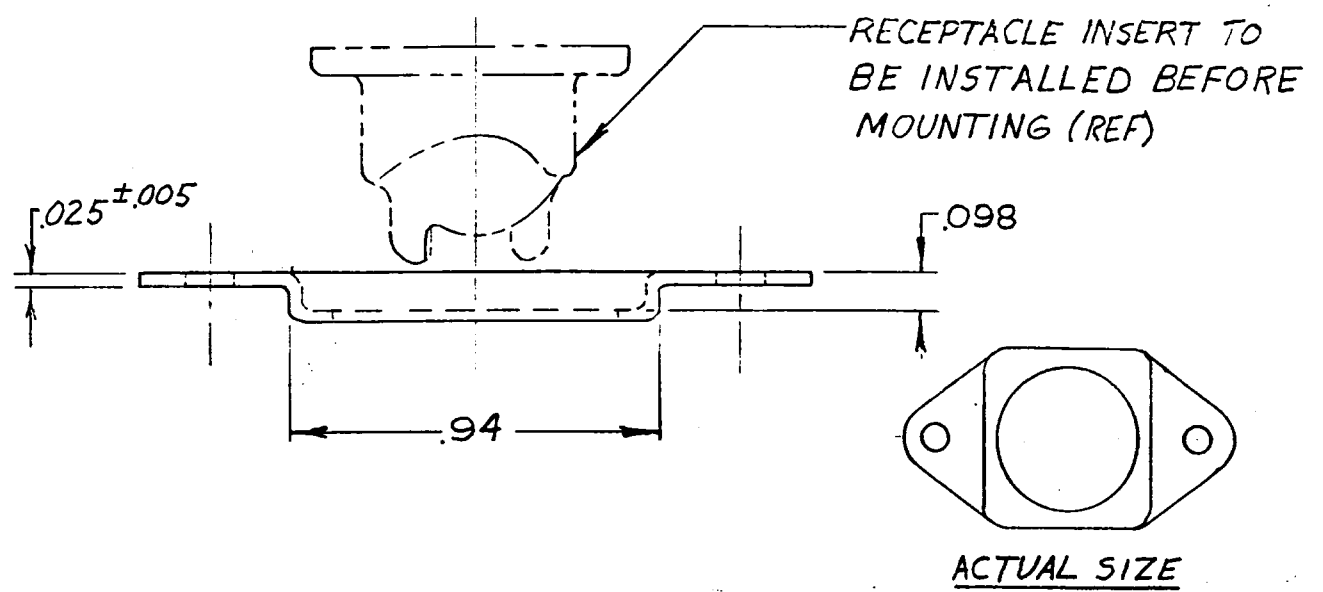
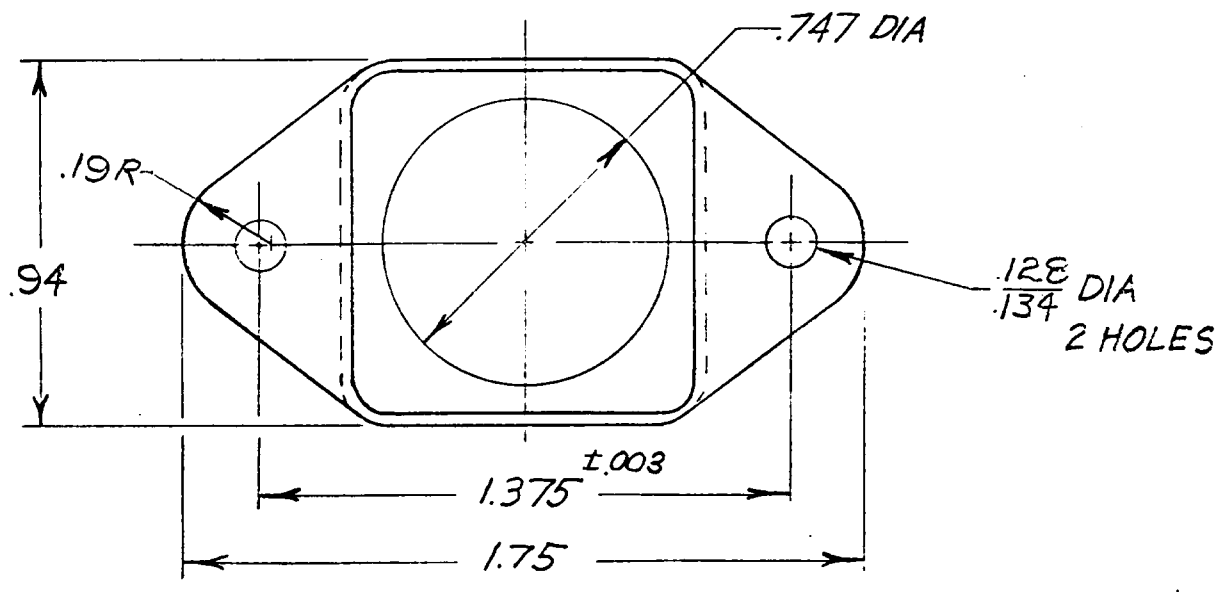


REV. DRAWING NO. 706 RS

STOCK	REV.	CHANGE	BY	DATE



1. FOR SHEET PREPARATION SEE CAMLOC CATALOG

NOTE:

Rexnord
 We've changed our corporate name to Rexnord Inc.

THIS DOCUMENT IS PROTECTED BY COMMON LAW COPYRIGHT. IS RECEIVED IN CONFIDENCE AND SHALL NOT BE REPRODUCED, USED OR DISSEMINATED IN WHOLE OR IN PART WITHOUT WRITTEN PERMISSION OF CAMLOC FASTENER CORP.

CAMLOC FASTENER CORPORATION
 PARAMUS, NEW JERSEY

FINISH	NONE	SCALE	2:1 & NOTED	WEIGHT	0.068 LBS
		DR.	G. ANDERSON		8-16-54
HEAT TREATMENT	NONE	CHK.	RASKA	VS	9-9-54
		ENGR. APP.			12-28-54
MATERIAL	CRES	SALES APP.	A. W. F.		12-29-54
TOLERANCES UNLESS OTHERWISE SPECIFIED:	3 PLACE FINISH DEC. ±.010 ANG. ± 1° 2 PLACE ±.02				

TITLE	CAGE - 1.375" RECEPTACLE, FLOATING, CRES	
MODEL OR SERIES	4002	DRAWING NO.
		706 RS
REV.		