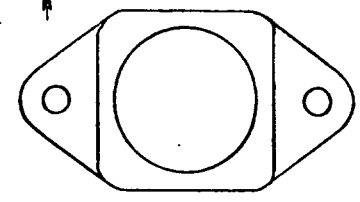
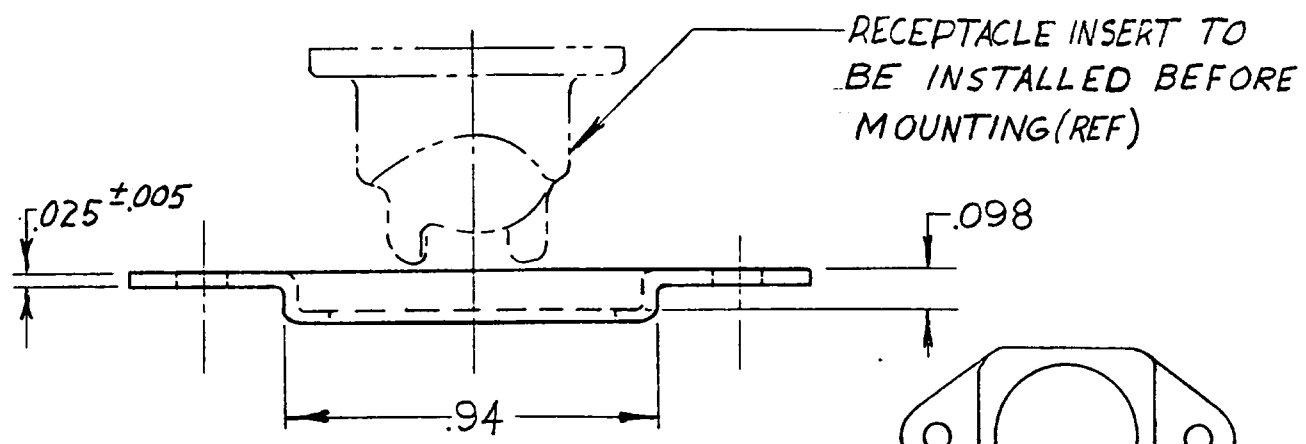
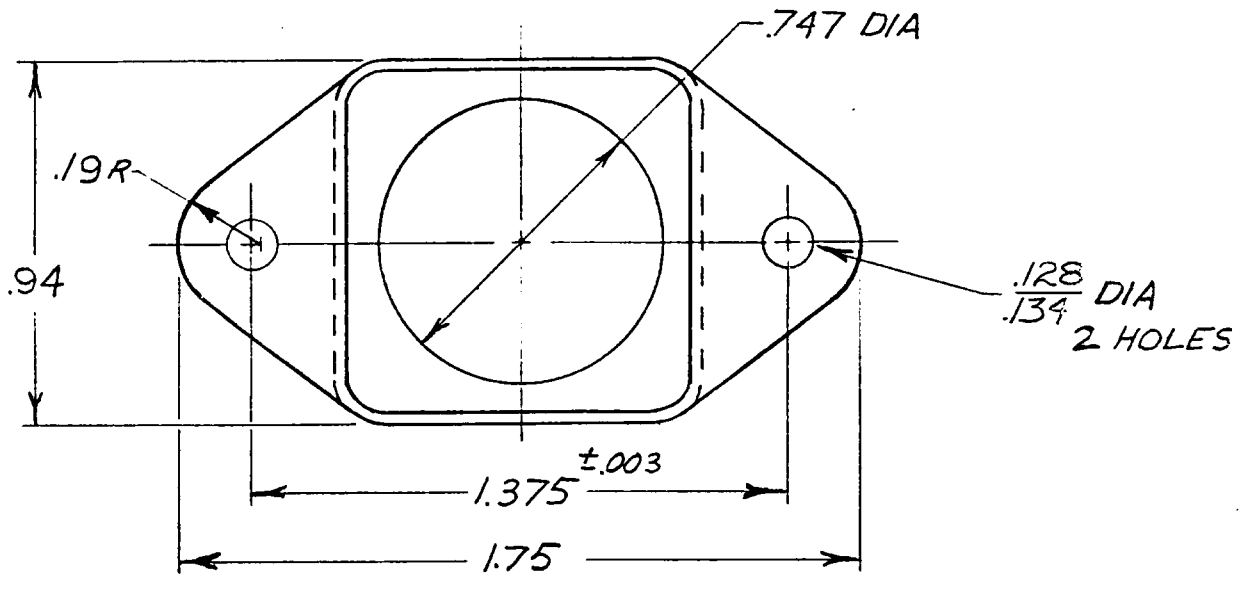


REV. —
DRAWING NO. 706 R

STOCK	REV.	CHANGE	BY	DATE



ACTUAL SIZE

1. FOR SHEET PREPARATION SEE CAMLOC CATALOG

NOTE:



We've changed our corporate name to Rexnord Inc.

THIS DOCUMENT IS PROTECTED BY COMMON LAW COPYRIGHT. IS RECEIVED IN CONFIDENCE AND SHALL NOT BE REPRODUCED, USED OR DISSEMINATED IN WHOLE OR IN PART WITHOUT WRITTEN PERMISSION OF CAMLOC FASTENER CORP.

CAMLOC FASTENER CORPORATION
PARAMUS, NEW JERSEY

FINISH CADMIUM PLATE QQ-P-416 TYPE II CLASS B	SCALE 2:1 & NOTED	WEIGHT .0069 LBS
HEAT TREATMENT NONE	DR. ANDERSON	8-16-54
MATERIAL HIGH CARBON STEEL	CHK. RASKA	VS 8-30-54
TOLERANCES UNLESS OTHERWISE SPECIFIED: 3 PLACE DEC. 2, 010 ANG. ± 1' 2 PLACE 302	ENGR. APP. R.W.F.	12-28-54
	SALES APP. R.W.F.	12-29-54

TITLE CAGE-1.375" RECEPTACLE, FLOATING	MODEL OR SERIES 4002	DRAWING NO. 706 R	REV. —
--	-------------------------	----------------------	-----------