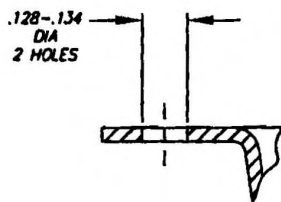
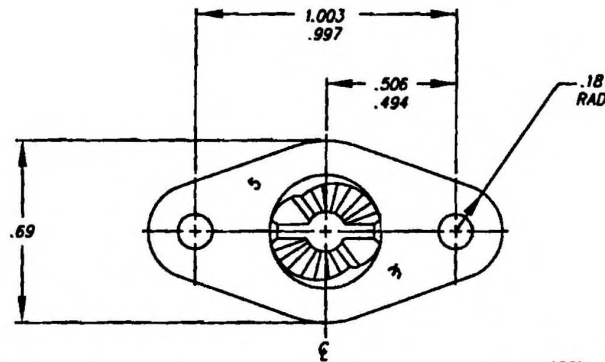
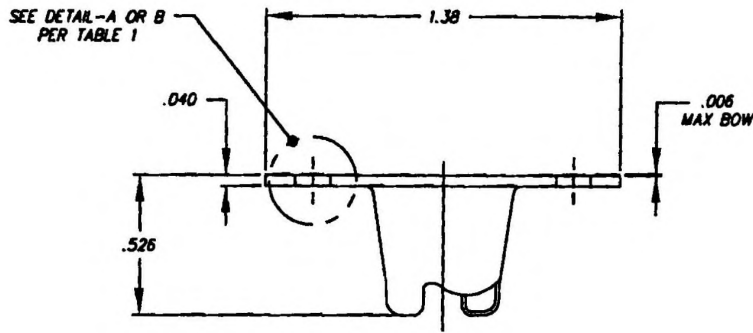
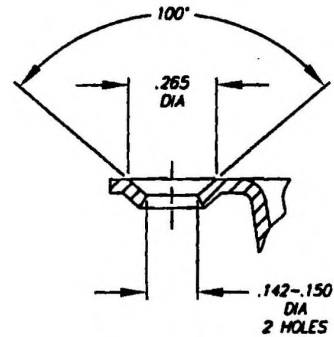


Camloc . Delron . Deutsch . Huck . K-Fast . Kaynar . Microdot . RAM . Rosan . Screwcorp . Tridair . Voi-Shan

MANUFACTURE OF THE PROPRIETARY PARTS SHOWN HERE WITHOUT WRITTEN CONSENT IS ABSOLUTELY PROHIBITED



DETAIL-A



DETAIL-B

TABLE 1


CATALOG PART NUMBER	TYPE RIVET HOLES	MATERIAL	FINISH	WEIGHT LB/100
40R17-1	DETAIL - A	CRES. 300 SERIES PER ASTM A240	PASSIVATED PER MIL-S-5002	1.20
40R17-2	DETAIL - B			
40R17-3	DETAIL - A	<>	<>	<>
40R17-4	DETAIL - B			
40R17-5	DETAIL - A	STEEL-CARBON PER ASTM A684	CADMIUM PLATE PER QQ-P-416 CLASS 2, TYPE II	1.19
40R17-6	DETAIL - B			

NOTES: UNLESS OTHERWISE SPECIFIED:

1. FOR INSTALLATION INFORMATION, SEE CAMLOC CATALOG. THIS INSTALLATION IS THE SAME AS SHOWN FOR 214-16 TYPE RECEPTACLE.

<> INACTIVE FOR DESIGN AND PROCUREMENT (CADMIUM PLATED CRES)

INTERIM DOCUMENT REVISION		
Rev.	Date	DAF#
E1	10/8/2018	117431

APPROVED DATE 25 JUL 56 REV LETTER AND DATE E 26 MAR 12 DAF NUMBER 100262	 ARCONIC Arconic Fastening Systems CAMLOC PRODUCTS 3012 WEST LOMITA BLVD. TORRANCE, CA 90505-5103	TITLE: RECEPTACLE SHEET METAL UNLESS OTHERWISE SPECIFIED DIMENSIONS ARE IN INCHES & ASME Y14.5M TOLERANCES: ANGLES = ± 1° FRACTIONS = ± 1/32 DECIMALS = ± .02 HOLE = ± .010	CURRENT DESIGN ACNITE: CAGE CODE: 71286 SALES DRAWING NO. 40R17 SHEET 1 OF 1
--	---	--	---

THIS DRAWING INCLUDES A CONFIDENTIAL, PROPRIETARY DESIGN & ALL DESIGN, MANUFACTURING, PRODUCTION, USE & SALE RIGHTS REGARDING SAME ARE EXPRESSLY RESERVED.