

Camloc . Delron . Deutsch . Huck . K-Fast . Kaynar . Microdot . RAM . Rosan . Screwcorp . Tridair . Voi-Shan

MANUFACTURE OF THE PROPRIETARY PARTS SHOWN HERE WITHOUT WRITTEN CONSENT IS ABSOLUTELY PROHIBITED

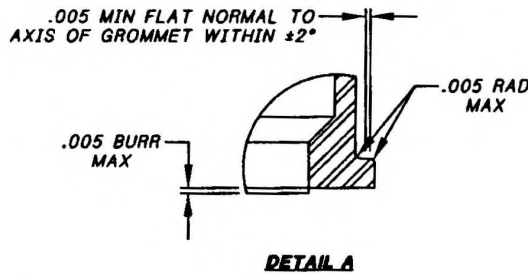
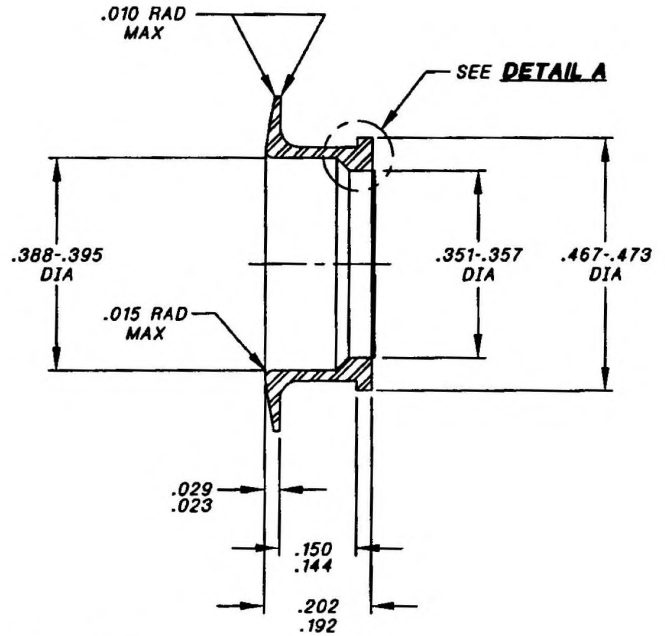
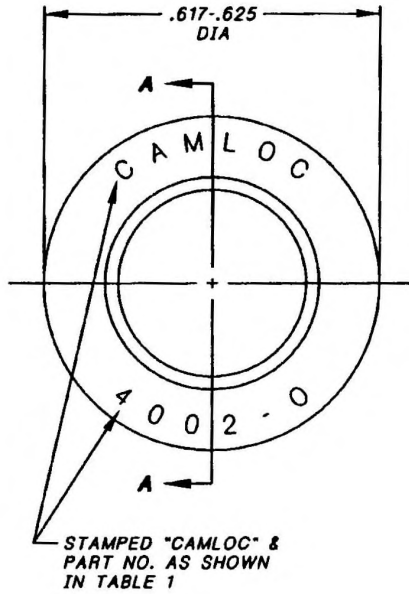


TABLE 1

PART NUMBER	MATERIAL	FINISH	WEIGHT LBS/100
4002-0	CARBON STEEL, PER ASTM A108	CADMIUM PLATE PER AMS-QQ-P-416, CLASS 2, TYPE II (YELLOW CHROMATE)	.30
4002-0-1		ZINC PLATE PER ASTM B633, CLASS 13, TYPE II (YELLOW CHROMATE)	
4002-0-2		ZINC PLATE PER ASTM B633, CLASS 5, TYPE III (CLEAR CHROMATE)	
<3> 4002-0S	300 SERIES CRES PER ASTM A582	PASSIVATE PER AMS 2700, TYPE II	.31
<3> 4002-0S-1		BLACK OXIDE COAT PER MIL-C-13924, CLASS 4	
4002-0SC		CADMIUM PLATE PER AMS-QQ-P-416, CLASS 1, TYPE II (CLEAR CHROMATE)	

NOTES: UNLESS OTHERWISE SPECIFIED.

- FOR INSTALLATION PROCEDURE, SEE CAMLOC CATALOG, 4002 SERIES.
- ALL EDGES BROKEN .005 MAX AND ALL FINS & BURRS REMOVED EXCEPT WHERE OTHERWISE NOTED.

<3> COBENIUM SNAP RING CATALOG 40G26 AND 4002 CRES STUD ASSEMBLIES ARE AVAILABLE FOR USE WITH THIS GROMMET.

INTERIM DOCUMENT REVISION		
Rev.	Date	DAF#
U1	10/8/2018	117431

APPROVED DATE 19 DEC 52	CURRENT DESIGN ACTIVITY: ARCONIC	TITLE: GROMMET PLUS FLUSH	CURRENT DESIGN ACTIVITY: CAGE CODE: 71286
REV. LETTER AND DATE 28 JUN 05	Arconic Fastening Systems CAMLOC PRODUCTS 3012 WEST. LOMITA BLVD. TORRANCE, CA 90505	UNLESS OTHERWISE SPECIFIED DIMENSIONS ARE IN INCHES & ASME Y14.5M TOLERANCES:	SALES DRAWING NO.
DAF NUMBER DAF 68575		ANGLES = ° 1° FRACTIONS = 1/32 DECIMALS = .XX = .02 XXX = .010	4002-0
S44105			SHEET 1 OF 1