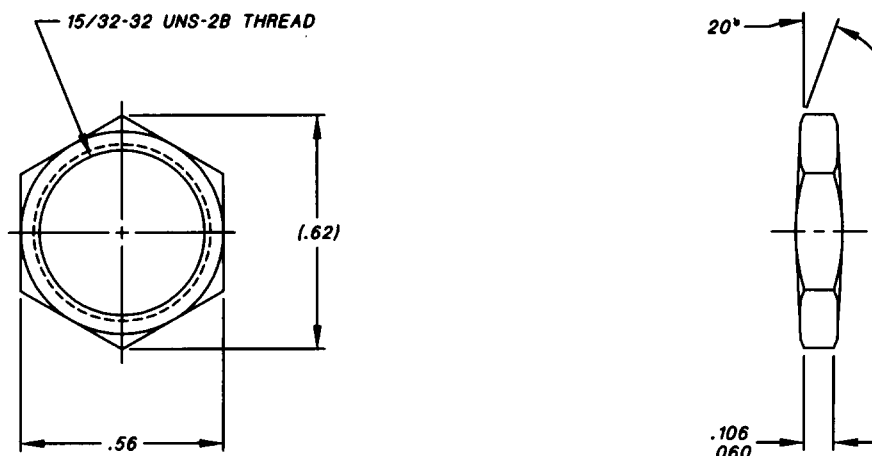


Voi-Shan • Tridair • Screwcorp • Camloc • RAM



PART NUMBER	MATERIAL	MATERIAL
15R10-1AC	STEEL	CADMIUM PLATE PER QQ-P-416, CLASS 2, TYPE II, WITH CLEAR CHROMATE
15R10-1AD		CADMIUM PLATE PER QQ-P-416, CLASS 2, TYPE II, WITH YELLOW CHROMATE
15R10-1AE		ZINC PLATE PER ASTM B633, CLASS 5, TYPE II, WITH BLUE CHROMATE,
15R10-1AG		CADMIUM PLATE PER QQ-P-416, CLASS 1, TYPE II, WITH OLIVE DRAB CHROMATE
15R10-1AH		CHROME PLATE PER QQ-C-320, CLASS 1, TYPE I, BRIGHT
15R10-1AJ		ZINC PLATE PER ASTM B633, CLASS 8, TYPE III, WITH CLEAR CHROMATE
15R10-1BF	CRES, 300 SERIES	PASSIVATE PER ASTM A967

NOTES: UNLESS OTHERWISE SPECIFIED.

1. MILITARY STANDARD PART NO. MS 25082-8, OR EQUIVALENT, MAY BE USED FOR REPLACEMENT.

UNLESS OTHERWISE SPECIFIED DIMENSIONS ARE IN INCHES & PER ANSI Y14.5M-82 TOLERANCES:
 ANGLES = 1
 FRACTIONS = 1/32
 DECIMALS .XX = .02
 .XXX = .010

APPROVED DATE	AEROSPACE FASTENER DIVISION 3012 WEST LOMITA BOULEVARD TORRANCE, CA 90505	CAGE CODE 71286
31 MAR 98		CAMLOC PRODUCT
REV. LETTER AND DATE	NUT - THIN RECEPTACLE, RETAINING	15R10 SHEET 1 OF 1
J 19 OCT 98		
DAF NUMBER		
DAF 42088		

541918